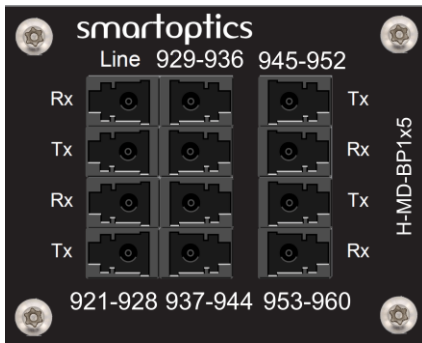


H-MD-BP1x5

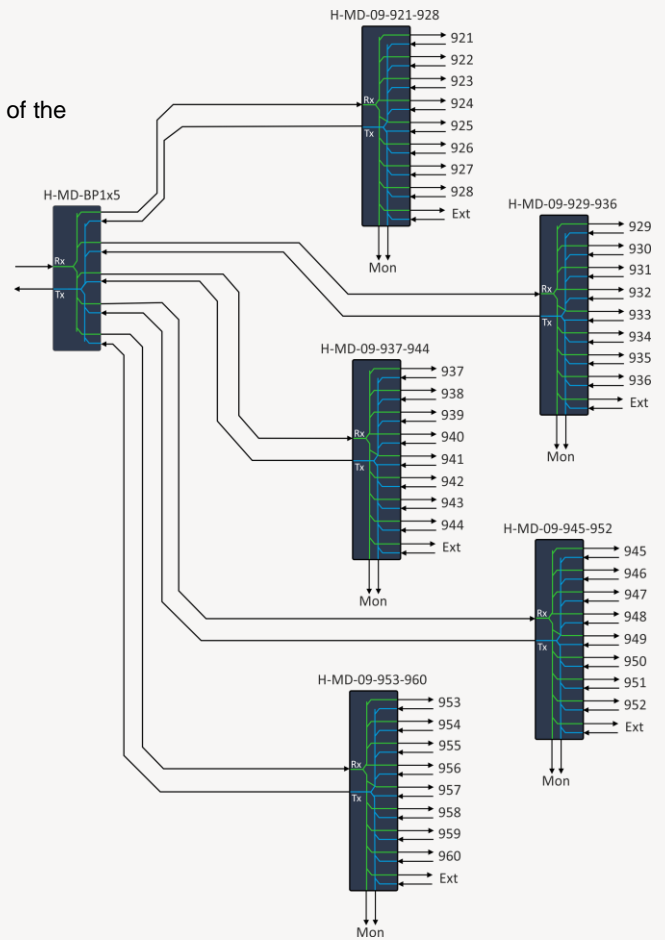
1x5 Band DWDM Mux/Demux, 921-928, 929-936, 937-944, 945-952, 953-960, LC/UPC



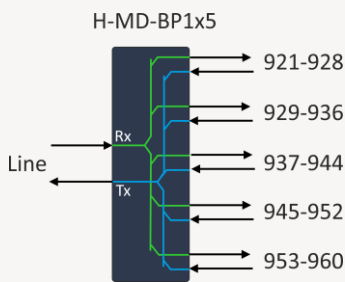
OVERVIEW

The H-MD-BP1x5 filter is a DWDM MuxDemux that separates/combines eight DWDM channels in five bands. This band-filter matches the channels of the H-MD-09-xxx-yyy filter units and provides increased flexibility in building effective networks. The figure shows an example where the H-MD-BP1x5 provides a fan-out of 40ch in an access network.

The H-Series supports the industrial temperature range of -40°C to +85°C (-40°F to +185°F) which gives an extended application range into sites without temperature control.

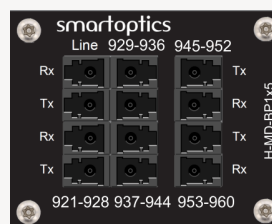


FUNCTIONAL OVERVIEW AND PORT DESCRIPTION



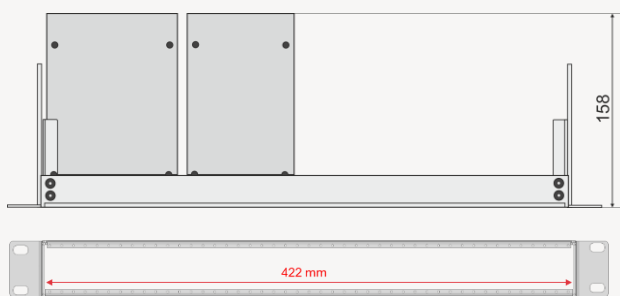
Line Rx	929-936 Tx	945-952 Tx
Line Tx	929-936 Rx	945-952 Rx
921-928 Rx	937-944 Tx	953-960 Tx
921-928 Tx	937-944 Rx	953-960 Rx

Please note order of Tx and Rx ports

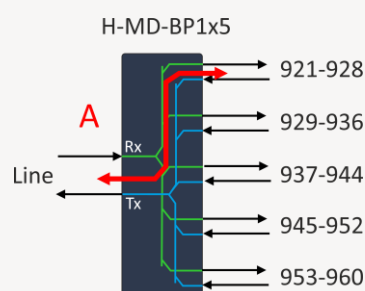


TECHNICAL SPECIFICATIONS

Parameter	Min	Max
Operating wavelength range	1520nm	1580nm
Channels Band 1	192.1 to 192.8 THz	
Band 2	192.9 to 193.6 THz	
Band 3	193.7 to 194.4 THz	
Band 4	194.5 to 195.2 THz	
Band 5	195.3 to 196.0 THz	
Channel spacing	100GHz	
Channel passband	ITU±0.11nm	
Insertion loss, per band (A)	2.5 dB	
Isolation, Adjacent Channel Passbands	15dB	
Ripple, passband	0.5dB	
Directivity	45dB	
Return loss	40dB	
Polarization dependent loss	0.2dB	
Polarization mode dispersion	0.20ps	
Connector type	LC/UPC	
Module width	55mm	
Mounting bracket	H-Chassi-1RU (19"), 422mm slot width	



Mounting bracket dimensions with two example filters.



ORDER INFORMATION

Part number	Description
H-MD-BP1x5	H-Series: 1x5 Band DWDM Mux/Demux, 921-928, 929-936, 937-944, 945-952, 953-960, Insertion-loss=2.5dB, LC/UPC