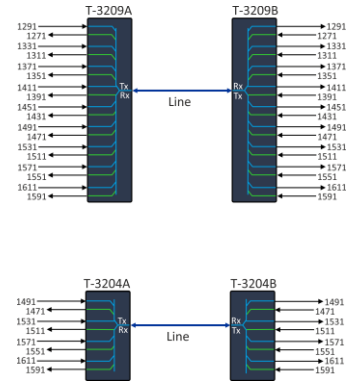


T-32xx SF CWDM MUX/DEMUX SERIES

CWDM Single Fiber Multiplexers



OVERVIEW

In a fiber-pair configuration the Mux/Demux units at the end points are identical since the same wavelengths are used in both directions for a connection. In a single-fiber configuration two different wavelengths are used and consequently the two Mux/Demux units are different, i.e. “mirrored”. The two versions in the pair are denoted “A” and “B”.

There are two pairs of Mux/Demuxes for single-fiber operation:

- T-3209A and T-3209B enabling 9 bi-directions channels
- T-3204A and T-3204B enabling 4 bi-directions channels

In a single-fiber configuration there is no need to distinguish between a transmit and receive line fiber. Patching will consequently be easier. Moving from a fiber-pair to a single-fiber configuration means that each fiber in the pair now can be used as two independent transmission medias.

PRODUCT FEATURES

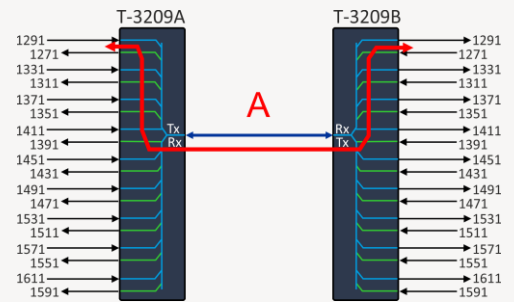
- Multiplexing of up to 9 channels on a single fiber
- Low insertion loss
- Compliant to ITU G.694.2 and G.695
- 1U Low profile modular design
- Passive, no electric power required. (MTBF ca. 500 years)

ORDERING INFORMATION

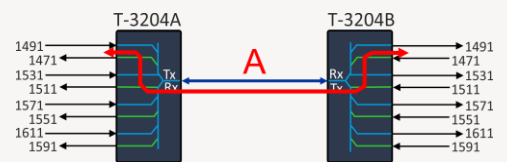
| Part Number | Description |
|-----------------------------|--|
| Single-Fiber CWDM Mux/Demux | |
| T-3209A | 1 RU plug-in module, W=212mm, D= 191.6mm, 9ch CWDM Mux/Demux, single-fiber, Tx channels C29,C33,C37,C41,C45,C49,C53,C57, C61, Link loss ch=5.3dB, LC/UPC |
| T-3209B | 1 RU plug-in module, W=212mm, D= 191.6mm, 9ch CWDM Mux/Demux, single-fiber, Tx channels C27, C31,C35,C39,C43,C47,C51,C55,C59, Link loss ch=5.3dB, LC/UPC |
| T-3204A | 1 RU plug-in module, W=212mm, D= 191.6mm, 4ch CWDM Mux/Demux, single-fiber, Tx channels C47,C51,C55,C59, Link loss ch=2.8dB, LC/UPC |
| T-3204B | 1 RU plug-in module, W=212mm, D= 191.6mm, 4ch CWDM Mux/Demux, single-fiber, Tx channels C49,C53,C57,C61, Link loss ch=2.8dB, LC/UPC |

GENERAL SPECIFICATIONS

| T-3209A / T-3209B | Unit | Value |
|--|------|--|
| T-3209A: Channels Tx direction ¹⁾ | nm | 1291, 1331, 1371, 1411, 1451, 1491, 1531, 1571, 1611 |
| T-3209A: Channels Rx direction | nm | 1271, 1311, 1351, 1391, 1431, 1471, 1511, 1551, 1591 |
| T-3209B: Channels Tx direction ¹⁾ | nm | 1271, 1311, 1351, 1391, 1431, 1471, 1511, 1551, 1591 |
| T-3209B: Channels Rx direction | nm | 1291, 1331, 1371, 1411, 1451, 1491, 1531, 1571, 1611 |
| Link loss, per channel (A) | dB | < 5.3 |
| Module width | mm | see separate figure |
| Connector type | - | LC/UPC |
| Mounting brackets | - | T-3002-19 |
| Operating temperature | °C | 0 to +70 |

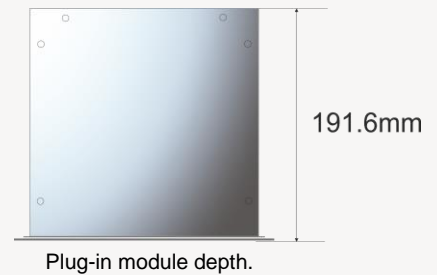
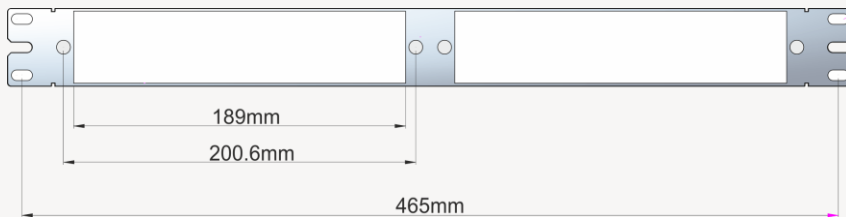


| T-3204A / T-3204B | Unit | Value |
|--|------|------------------------|
| T-3204A: Channels Tx direction ¹⁾ | nm | 1491, 1531, 1571, 1611 |
| T-3204A: Channels Rx direction | nm | 1471, 1511, 1551, 1591 |
| T-3204B: Channels Tx direction ¹⁾ | nm | 1471, 1511, 1551, 1591 |
| T-3204B: Channels Rx direction | nm | 1491, 1531, 1571, 1611 |
| Link loss, per channel (A) | dB | < 2.8 |
| Module width | mm | see separate figure |
| Connector type | - | LC/UPC |
| Mounting brackets | - | T-3002-19 |
| Operating temperature | °C | 0 to +70 |



¹⁾ Equals the wavelengths used in transmit direction, i.e. what type of transceiver that shall be connected to this Mux/Demux unit.

| Mounting bracket T-3002-19 | Unit | Value |
|------------------------------|------|--------------|
| Rack mount | - | 19" |
| Mounting depth (flush mount) | mm | 191.6 |
| Height | mm | 44.45 (1 RU) |
| Slot width | mm | 189 |



Mounting brackets with one T-3209A module.