

CVR-X2-SFP+

X2 to SFP+ converter module (used together with SFP+)

OVERVIEW

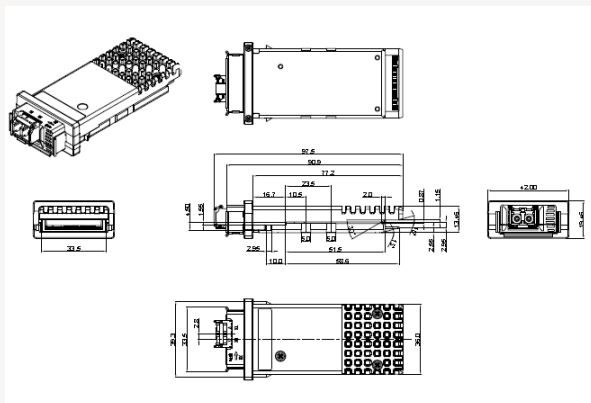
X2-SFP+ converter solutions (CVR) are a cost-effective alternative to conventional XENPAK components. SFP+ transceivers are typically lower in cost and available in shorter lead-times. They can also be reused in future 10G SFP+ deployments if ever the XENPAK card is removed or upgraded.

The CVR-X2-SFP+ has to be programmed to enable the host equipment to detect what type of SFP+ that is used. Four different versions are provided to support this.

TECHNICAL DATA

Technology		Conv X2-SFP+
Protocols	Eth:	10GbE
Temperature range		0°C to +70°C

FEC scheme	NA
MSA compliance	X2 MSA
Digital Diagnostic Monitoring	Via MDIO i/f



Regulatory compliance	
EMC CE	EN 55022:2010 EN 55024:2010
UL/Safety	UL 60950-1
RoHS	RoHS 6

Storage temp.	-40°C to +85°C
----------------------	----------------

ORDERING INFORMATION

Part number	Description
CVR-X2-SR-SFP+	X2 to 10GBASE-SR SFP+ converter module
CVR-X2-LR-SFP+	X2 to 10GBASE-LR SFP+ converter module
CVR-X2-ER-SFP+	X2 to 10GBASE-ER SFP+ converter module
CVR-X2-ZR-SFP+	X2 to 10GBASE-ZR SFP+ converter module