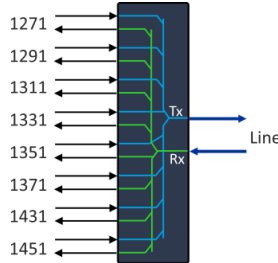
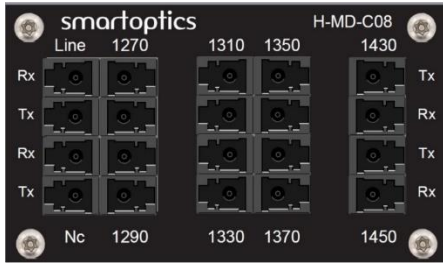


H-MD-C08

8-channel CWDM Mux/Demux

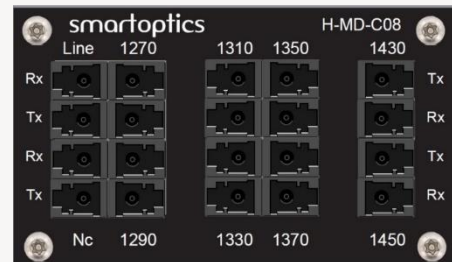
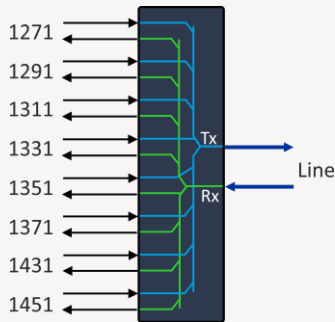


OVERVIEW

The H-MD-C08 is an 8ch CWDM Mux/DeMux. The eight wavelength ports of the H-MD-C08 operates on the low CWDM band channels; 1271 to 1451nm. The two channels 1391 and 1411nm are skipped since these are subject to the high water-peak attenuation that can be present in older fiber types. The H-MD-C08 can be used stand-alone or in combination with the high CWDM-band filters H-MD-C05, H-MD-C09 or H-MD-C09H-E-LL.

The H-MD-C08 filter is compliant with ITU-T G.694.2. The H-Series supports the industrial temperature range of -40°C to +85°C (-40°F to +185°F) which gives an extended application range into sites without temperature control. The H-Series filters are mounted in a 1 RU mounting bracket solution, and the filter module sizes vary depending on type of filter.

FILTER OVERVIEW AND PORT ALLOCATION



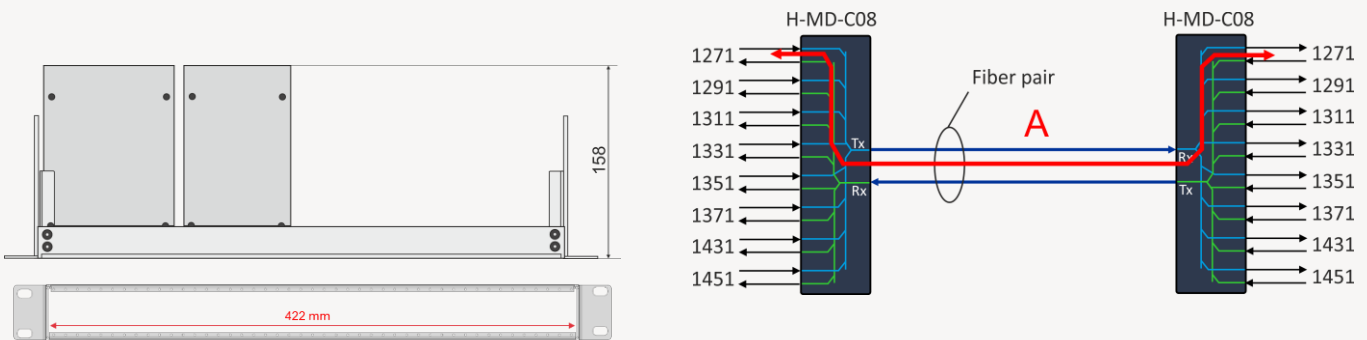
Line Rx	1270 Tx	1310 Rx	1350 Tx	1430 Tx
Line Tx	1270 Rx	1310 Tx	1350 Rx	1430 Rx
NC	1290 Tx	1330 Rx	1370 Tx	1450 Tx
NC	1290 Rx	1330 Tx	1370 Rx	1450 Rx

Note: The channel labels “1270”, “1290” etc on the overlay are not representing the actual center wavelengths. The actual center wavelengths are at 1271nm, 1291nm etc. as listed in the table below. Note column dependent location of Tx and Rx ports.

TECHNICAL SPECIFICATIONS

Parameter	C-temp conditions	I-temp Conditions
Channels	1271, 1291, 1311, 1331, 1351, 1371, 1431, 1451	←
Channel spacing	20nm	←
Channel passband	ITU±7nm	←
Link loss, per channel (A)	Typical 3.6dB Max 4.0dB	Typical 3.8dB Max 4.2dB
Isolation, adjacent channel	Min 28dB	←
Isolation, non-adjacent channel	Min 40dB	←
Ripple, passband	Max 0.5dB	←
Directivity	Min 45dB	←
Return loss	Min 40dB	←
Mounting bracket dimensions with two example filters.		
Polarization dependant loss	Max 0.2dB	←
Polarization mode dispersion	Max 0.20ps	←
Operating temperature	0°C to +70°C	-40°C to +85°C
Storage temperature	-40°C to +85°C	←
Connector type	LC/UPC	←
Module width	75 mm	←

Note! A typical loss value is to be seen as a value that ~90% of a population has at beginning of life and at room temperature. The max value is the guaranteed worst-case value over time and over temperature.



ORDER INFORMATION

The table below shows the part number and a short description.

Part number	Description
H-MD-C08	H-Series: 8ch CWDM Mux/Demux 1271, 1291, 1311, 1331, 1351, 1371, 1431, 1451nm, 75mm, LC/UPC

Smartoptics makes no warranties or representations, expressed or implied, of any kind relative to the information or any portion thereof contained in this document or its adaptation or use, and assumes no responsibility or liability of any kind, including, but not limited to, indirect, special, consequential or incidental damages, for any errors or inaccuracies contained in the information or arising from the adaptation or use of the information or any portion thereof. The information in this document is subject to change without notice.