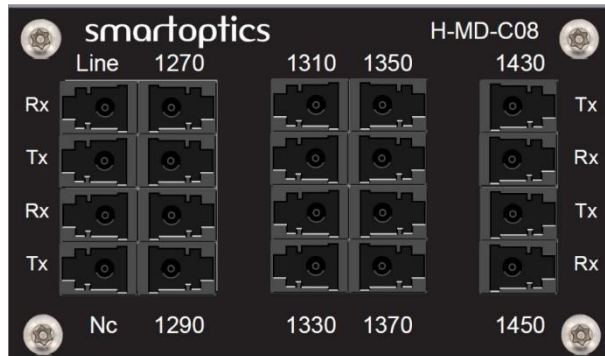


H-MD-C08

8-channel CWDM Mux/Demux

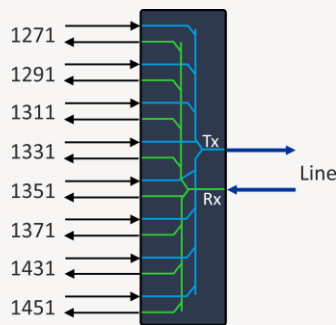


OVERVIEW

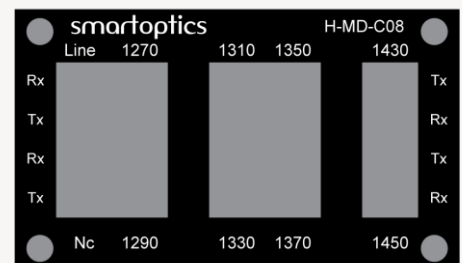
The H-MD-C08 is an 8ch CWDM Mux/DeMux. The eight wavelength ports of the H-MD-C08 operates on the low CWDM band channels; 1271 to 1451nm. The two channels 1391 and 1411nm are skipped since these are subject to the high water-peak attenuation that can be present in older fiber types. The H-MD-C08 can be used stand-alone or in combination with the H-MD-C05 or H-MD-C09 filters.

The H-MD-C08 filter is compliant with ITU-T G.694.2. The H-Series supports the industrial temperature range of -40°C to +85°C (-40°F to +185°F) which gives an extended application range into sites without temperature control. The H-Series filters are mounted in a 1 RU mounting bracket solution, and the filter module sizes vary depending on type of filter.

FUNCTIONAL OVERVIEW AND PORT DESCRIPTION



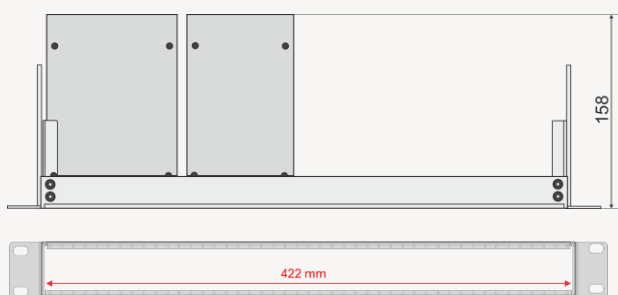
Line Rx	1270 Tx	1310 Rx	1350 Tx	1430 Tx
Line Tx	1270 Rx	1310 Tx	1350 Rx	1430 Rx
NC	1290 Tx	1330 Rx	1370 Tx	1450 Tx
NC	1290 Rx	1330 Tx	1370 Rx	1450 Rx



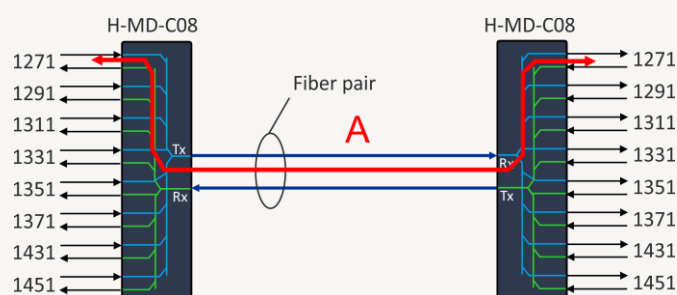
Note: The channel labels “1270”, “1290” etc on the overlay are not representing the actual center wavelengths. The actual center wavelengths are at 1271nm, 1291nm etc. as listed in the table below.

TECHNICAL SPECIFICATIONS

Parameter	Min	Max
Operating wavelength range	1260nm	1620nm
Channels	1271, 1291, 1311, 1331, 1351, 1371, 1431, 1451	
Channel spacing	20nm	
Channel passband	ITU±7nm	
Link loss, per channel (A)		4.2 dB
Isolation, adjacent channel	28 dB	
Isolation, non-adjacent channel	40 dB	
Ripple, passband		0.5 dB
Directivity	45 dB	
Return loss	40 dB	
Polarization dependant loss		0.2 dB
Polarization mode dispersion		0.20 ps
Connector type	LC/UPC	
Module width	75 mm	
Mounting bracket	H-Chassi-1RU (19"), 422 mm slot width	
Mounting depth (flush mount)	158 mm	



Mounting bracket dimensions with two example filters.



ORDER INFORMATION

The table below shows the part number and a short description.

Part number	Description
H-MD-C08	H-Series: 8ch CWDM Mux/Demux 1271, 1291, 1311, 1331, 1351, 1371, 1431, 1351nm, 75mm, LC/UPC