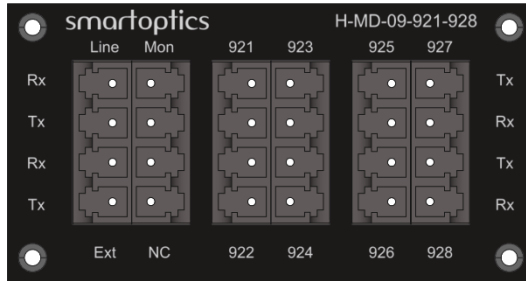


H-MD-09-XXX-YYY

8 channel DWDM mux/demux with extension and monitor



OVERVIEW

The H-MD-09-xxx-yyy units are a range of passive 8 channel DWDM protocol transparent mux/demux units. They operate with 100GHz spacing and have an additional DWDM extension port so that additional channels can be seamlessly connected to increase capacity. Channels operate in the standard C-band in dual fiber working configuration.

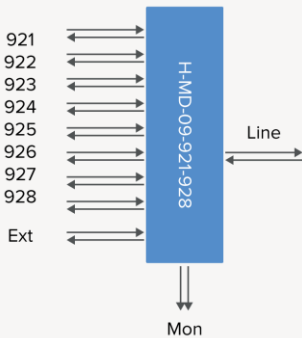
FUNCTIONAL DESCRIPTION

The extension port can be used for the following applications:

- Connect any of the other H-MD-09-xxx-yyy units to expand with 8 additional DWDM wavelengths.
- Connect any of the H-MD-16-xxx-yyy units to expand with additional DWDM wavelengths.

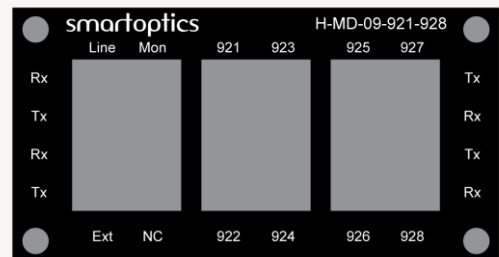
Monitor ports are used to analyze outgoing and incoming line signals. Compliant to ITU-T G.694.1

FUNCTIONAL OVERVIEW AND PORT DESCRIPTION



Line Rx	Mon Tx	921 Rx	923 Tx	925 Rx	927 Tx
Line Tx	Mon Rx	921 Tx	923 Rx	925 Tx	927 Rx
Ext Rx	NC	922 Rx	924 Tx	926 Rx	928 Tx
Ext Tx	NC	922 Tx	924 Rx	926 Tx	928 Rx

The examples show H-MD-09-921-922



TECHNICAL SPECIFICATIONS

Parameter	Min	Max
Operating wavelength range	1500nm	1600nm
Channels	See separate table	
Channel spacing	100GHz	
Channel passband	ITU±0.11	
Insertion loss, extension	3.5 dB	
Insertion loss, per channel	3.1 dB	
Link loss, per channel	4.5 dB	
Insertion loss, monitor	18 dB	22 dB
Isolation, adjacent channel	28 dB	
Isolation, non-adjacent channel	40 dB	
Ripple, passband	0.5 dB	
Directivity	45 dB	
Return loss	40 dB	
Polarization dependant loss	0.2 dB	
Polarization mode dispersion	0.20 ps	

ORDER INFORMATION

The H-MD-09-xxx-yyy is available in 5 different versions depending on desired channel plan. The table below shows the part numbers and a short description.

Part number	Description	Channels
H-MD-09-921-928	8 channel DWDM mux/demux with extension and monitor	921-928
H-MD-09-929-936	8 channel DWDM mux/demux with extension and monitor	929-936
H-MD-09-937-944	8 channel DWDM mux/demux with extension and monitor	937-944
H-MD-09-945-952	8 channel DWDM mux/demux with extension and monitor	945-952
H-MD-09-953-960	8 channel DWDM mux/demux with extension and monitor	953-960