

CVR-XENPAK-SFP+

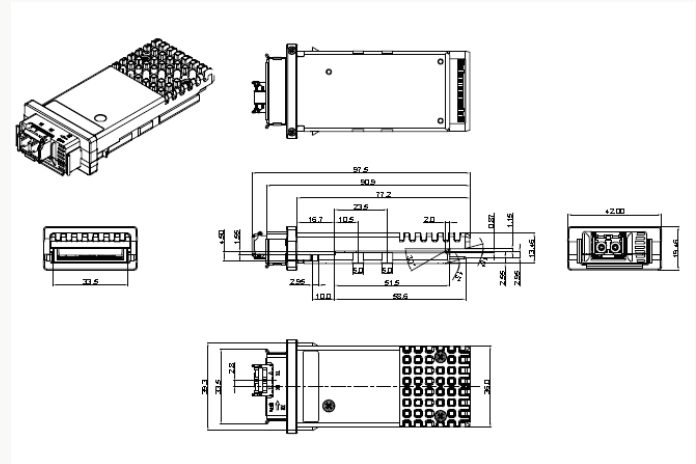
XENPAK to SFP+ converter module (used together with SFP+)

CVR-XENPAK-SFP+ OVERVIEW

The CVR-XENPAK-SFP+ converts a 10 Gigabit Ethernet XENPAK port into a 10 Gigabit Ethernet SFP+ port. With the converter module, customers have the flexibility to use the 10 Gigabit XENPAK interface port of a switch with SFP+ modules.

PRODUCT FEATURES

- Duplex LC connector
- Compliant with XENPAK MSA
- Support all types of SFP+ transceivers
- Hot-pluggable XENPAK footprint
- Built-in digital diagnostic functions
- 70-pin connector with XAUI electrical interface
- Management and control via MDIO 2-wire interface
- RoHS6/6 Compliant
- Class 1 laser product complies with EN 60825-1
- Operating temperature range: standard 0°C to 70°C



APPLICATIONS

- 10GBASE-X applications, flexible future proof Xenpak solutions

ORDERING INFORMATION

Part number	SFP+ (bundle transceiver)	Description
CVR-XENPAK-SR	SO-SFP-10GE-SR	XENPAK-CVR + SFP+, 10GBase-SR, 850nm, MM, DDM, 5.1dB, 300m@OM3
CVR-XENPAK-LR	SO-SFP-10GE-LR	XENPAK-CVR + SFP+, 10GBase-LR, 1310nm, SM, DDM, 6.2dB, 10km
CVR-XENPAK-ER	SO-SFP-10GE-ER	XENPAK-CVR + SFP+, 10GBase-ER, 1550nm, SM, DDM, 14.8dB, 40km
CVR-XENPAK-ZR	SO-SFP-10GE-ZR	XENPAK-CVR + SFP+, 10GBase-ZR, 1550nm, SM, DDM, 23dB, 80km