

CVR-X2-SFP+

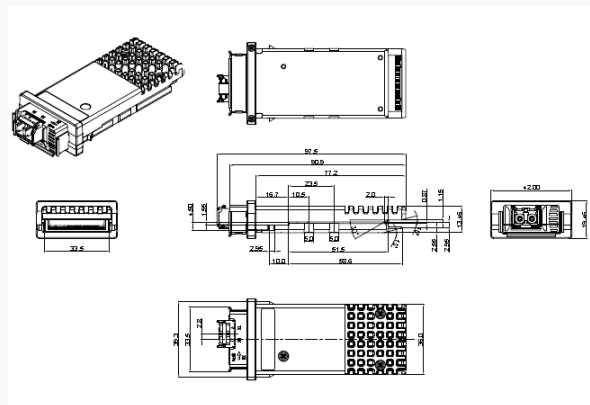
X2 to SFP+ converter module (used together with SFP+)

OVERVIEW

The CVR-X2-SFP+ converts a 10 Gigabit Ethernet X2 port into a 10 Gigabit Ethernet SFP+ port. With the converter module, customers have the flexibility to use the 10 Gigabit X2 interface port of a switch with SFP+ modules.

PRODUCT FEATURES

- Duplex LC connector
- Compliant with X2 MSA
- Support all types of SFP+ transceivers
- Hot-pluggable X2 footprint
- Built-in digital diagnostic functions
- 70-pin connector with XAUI electrical interface
- Management and control via MDIO 2-wire interface
- RoHS6/6 Compliant
- Class 1 laser product complies with EN 60825-1



APPLICATIONS

- 10GBASE-X applications. Flexible futureproof X2 solutions

ORDERING INFORMATION

Part number	SFP+ (bundle transceiver)	Description
CVR-X2-SR	SO-SFP-10GE-SR	X2-CVR + SFP+, 10GBase-SR, 850nm, MM, DDM, 5.1dB, 300m@OM3
CVR-X2-LR	SO-SFP-10GE-LR	X2-CVR + SFP+, 10GBase-LR, 1310nm, SM, DDM, 6.2dB, 10km
CVR-X2-ER	SO-SFP-10GE-ER	X2-CVR + SFP+, 10GBase-ER, 1550nm, SM, DDM, 14.8dB, 40km
CVR-X2-ZR	SO-SFP-10GE-ZR	X2-CVR + SFP+, 10GBase-ZR, 1550nm, SM, DDM, 23dB, 80km