

SO-QSFP-4SFP-PCUXM

QSFP to 4xSFP+, Direct Attach Cable (DAC), AWG30, 1 to 5m, passive

OVERVIEW

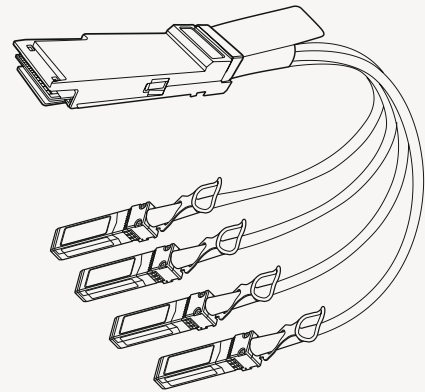
The SO-QSFP-4SFP-PCUxM is a passive Direct Attach Cable (DAC) solution of Twinax type, i.e. a copper cable similar to coaxial cable, but with two inner conductors instead of one. A typical application for a SO-QSFP-4SFP-PCUXM break-out cables is between an QSFP port on a 40 Gbps switch and feed up to four upstream 10GbE-SFP+ enabled switches. Each QSFP-SFP+ splitter cable features a single QSFP connector (SFF-8436) rated for 40 Gbps on one end and 4x SFP+ connectors (SFF-8431), each rated for 10 Gbps, on the other.

The SO-QSFP-4SFP-PCUxM is provided in lengths from 1 to 5 meters (3.3 to 16.4 ft).

The thickness of the cable is defined by the AWG (American Wire Gauge) rating value. The SO-QSFP-4SFP-PCUxM uses AWG30 rated cables. Please see minimum bend radius requirements below.

PRODUCT FEATURES

- QSFP (40G) to 4x SFP+ (10G) splitter cable
- 1x QSFP 40.0 Gbps rated connector (SFF-8436 compliant)
- 4x SFP+ 10.0 Gbps rated connectors (SFF-8431 compliant)
- Protocol agnostic support of 40GbE, QDR InfiniBand, SAS & Fiber Channel
- 1 to 5 meters (3.3 to 16.4 ft)
- AWG 30 (cable thickness)
- Fully RoHS compliant for environmental protection



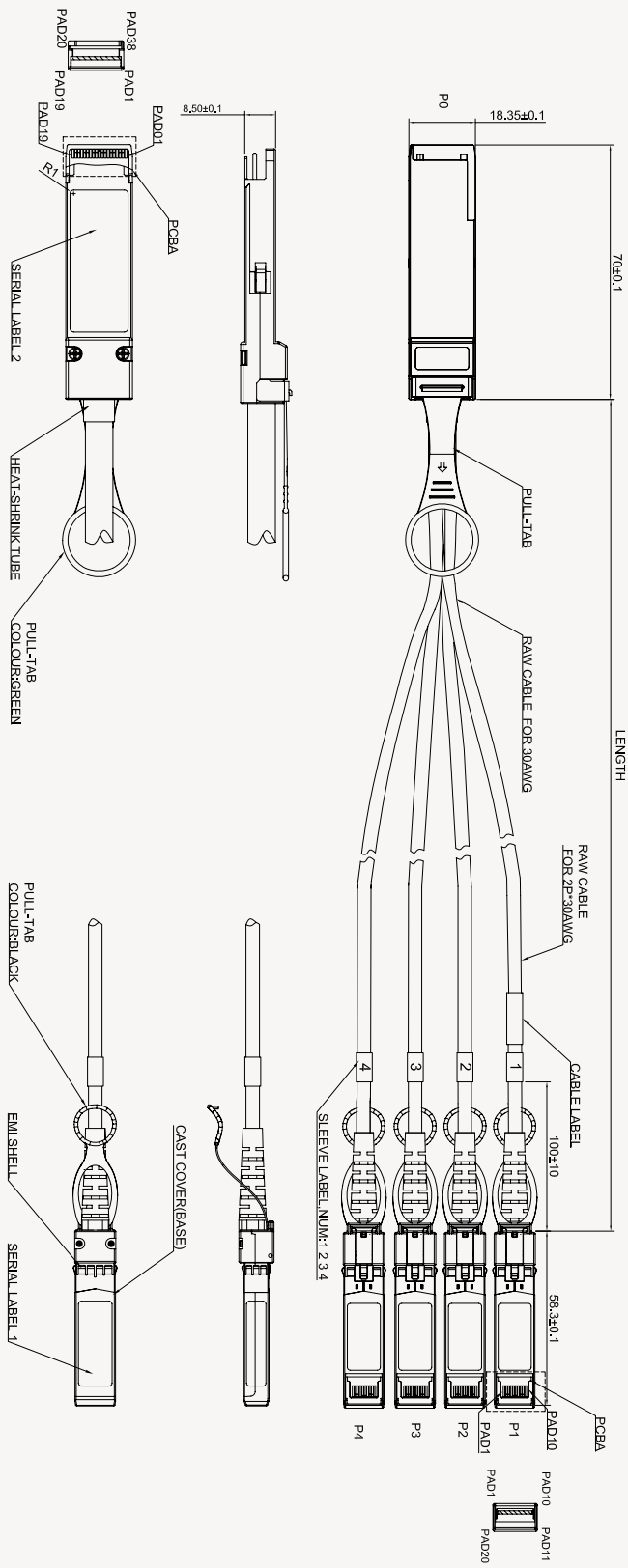
APPLICATIONS

- Data Center cabling infrastructure
- Storage Area Network (SAN)
- Network Attached Storage (NAS)
- Hub, switches, routers, servers

ORDERING INFORMATION

Part number	Description
SO-QSFP-4SFP-PCU1M	QSFP+ to 4xSFP+, Direct Attach Cable (DAC), AWG30, 1m, passive
SO-QSFP-4SFP-PCU2M	QSFP+ to 4xSFP+, Direct Attach Cable (DAC), AWG30, 2m, passive
SO-QSFP-4SFP-PCU3M	QSFP+ to 4xSFP+, Direct Attach Cable (DAC), AWG30, 3m, passive
SO-QSFP-4SFP-PCU5M	QSFP+ to 4xSFP+, Direct Attach Cable (DAC), AWG30, 5m, passive

MECHANICAL DRAWING



MINIMUM BEND RADIUS

