

# SO-SFP-10GE-CUXM

SFP+, Direct Attach Cable (DAC), AWG30/24, 0.5m to 7m, passive

## OVERVIEW

The SO-SFP-10GE-CUXM is a passive Direct Attach Cable (DAC) solution of Twinax type, i.e. a copper cable similar to coaxial cable, but with two inner conductors instead of one. SO-SFP-10GE-CUXM is a solution for 10 Gbps connections within racks and across adjacent racks where the interconnected equipment uses SFP+ interfaces instead of RJ45. It provides a cost-efficient solution as compared to using optical transceivers and it simplifies the patching since no separate transmit/receive direction has to be taken into account.

A SO-SFP-10GE-CUXM DAC fits into SFP+ ports and support a wide range of Ethernet and Fiber Channel services. The SO-SFP-10GE-CUXM is provided in lengths from 0.5 to 7 meters (1.6 to 23 ft).

The thickness of the cable is defined by the AWG (American Wire Gauge) rating value. As an example, an AWG24 DAC cable is thicker and heavier than the AWG30. Please note minimum bending radius below.

## PRODUCT FEATURES

- Compliant with 10GBASE-CR standard
- SFP+ MSA compliant (SFF-8431 and SFF-8432)
- SFP+ to SFP+ connectivity
- Supports 1G, 2G, 8G and 10G Fiber Channel
- Supports 1G and 10G Gigabit Ethernet
- 0.5 to 7 meters (1.6 to 23 ft)
- AWG 24/30 (cable thickness)

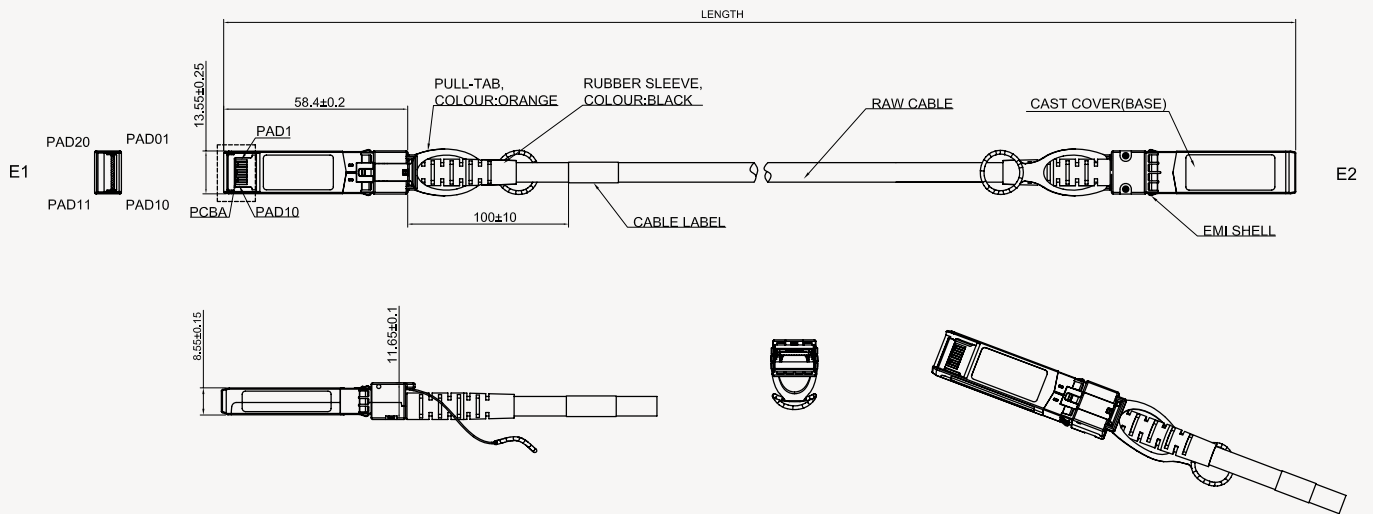
## APPLICATIONS

- Data Center cabling infrastructure
- Storage Area Network (SAN)
- Network Attached Storage (NAS)
- Hub, switches, routers, servers, Network Interface Cards (NICs)

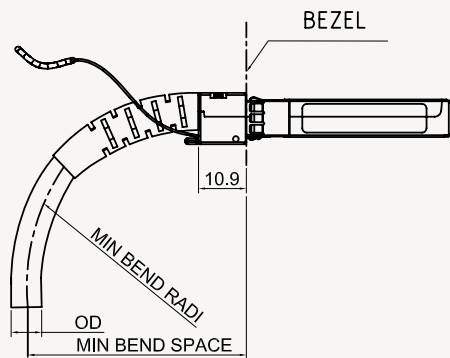
## ORDERING INFORMATION

Part number	Description
SO-SFP-10GE-CU0.5M	SFP+, Direct Attach Cable (DAC), 30AWG, 0.5m, passive
SO-SFP-10GE-CU1M	SFP+, Direct Attach Cable (DAC), 30AWG, 1m, passive
SO-SFP-10GE-CU2M	SFP+, Direct Attach Cable (DAC), 30AWG, 2m, passive
SO-SFP-10GE-CU3M	SFP+, Direct Attach Cable (DAC), 30AWG, 3m, passive
SO-SFP-10GE-CU4M	SFP+, Direct Attach Cable (DAC), 30AWG, 4m, passive
SO-SFP-10GE-CU5M	SFP+, Direct Attach Cable (DAC), 24AWG, 5m, passive
SO-SFP-10GE-CU7M	SFP+, Direct Attach Cable (DAC), 24AWG, 7m, passive

MECHANICAL DRAWING



MINIMUM BEND RADIUS



BEND RADII			
CABLE(AWG)	OD(mm)	MIN BEND RADII(mm)	MIN BEND SPACE
24	6.30	33.00	43.90
30	4.20	21.00	31.90