

SO-SFP-10GE-CUxM

SFP+, DAC, AWG30, 0.2m to 12m, passive

OVERVIEW

The SO-SFP-10GE-CUxM direct copper cables (DAC or Twinax) are suitable for very short distances and offer a highly cost-effective way to connect within racks and across adjacent racks. SFP+ Cables is a low cost SFP+ solution. SFP+ directly attached Twinax cable assemblies support 10 Gigabit Ethernet, 10 Fibre Channel, and other industry standards.

Smartoptics offers 10G SFP+ Passive Cables in lengths of 0.5 to 12 meters.

PRODUCT FEATURES

- Compliant with 10GBASE-CR standard
- SFP+ MSA compliant
- SFP+ to SFP+
- 0.5m to 12m meters
- AWG24/28/30

APPLICATIONS

- 1-8G fiber channel and 1-10G gigabit Ethernet
- Networking, storage, telecommunications
- Hub, switches, routers, servers, network interface cards (NICs)

ORDERING INFORMATION

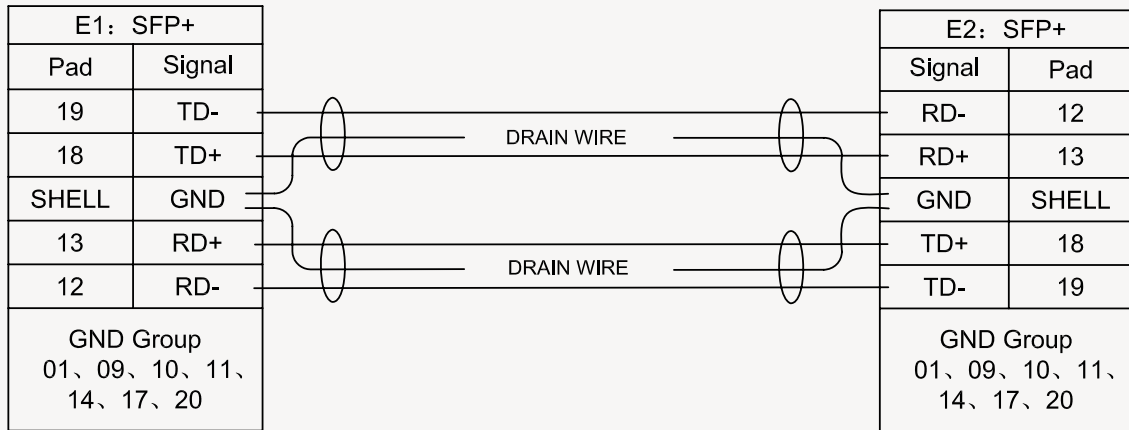
Part Number	Description
SO-SFP-10GE-CU0.5M	SFP+, DAC, AWG30, 0.5m, passive
SO-SFP-10GE-CU1M	SFP+, DAC, AWG30, 1m, passive
SO-SFP-10GE-CU2M	SFP+, DAC, AWG30, 2m, passive
SO-SFP-10GE-CU3M	SFP+, DAC, AWG30, 3m, passive
SO-SFP-10GE-CU4M	SFP+, DAC, AWG24, 4m, passive
SO-SFP-10GE-CU5M	SFP+, DAC, AWG24, 5m, passive
SO-SFP-10GE-CU6M	SFP+, DAC, AWG24, 6m, passive
SO-SFP-10GE-CU7M	SFP+, DAC, AWG24, 7m, passive
SO-SFP-10GE-CU10M	SFP+, DAC, AWG24, 10m, passive
SO-SFP-10GE-CU12M	SFP+, DAC, AWG24, 12m, passive

Subject to change without notice.

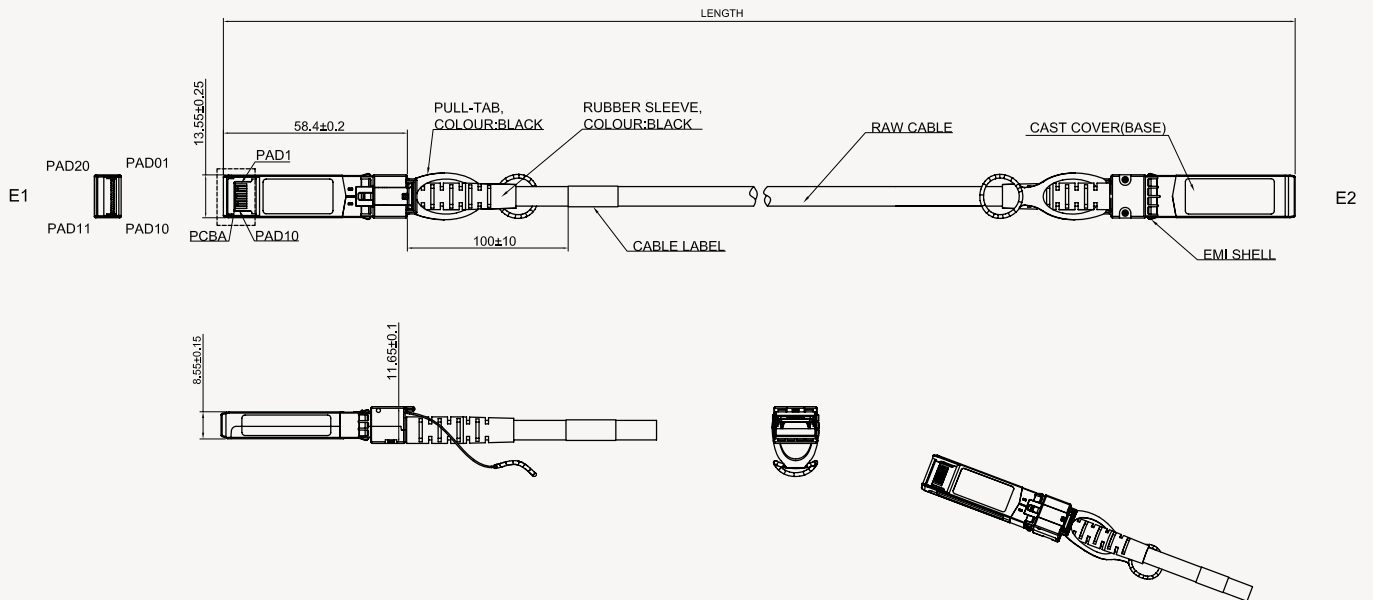
For more information, visit smartoptics.com.

smartoptics

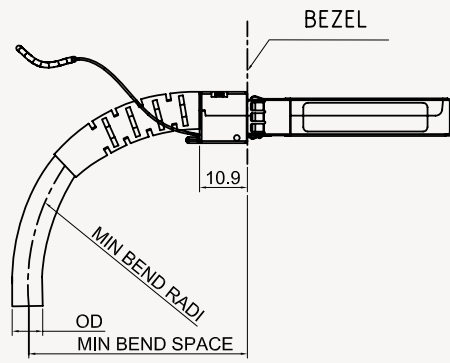
CABLE CONNECTION



MECHANICAL DRAWING



MINIMUM BEND RADIUS



BEND RADII			
CABLE(AWG)	OD(mm)	MIN BEND RADII(mm)	MIN BEND SPACE
24	6.30	33.00	43.90
30	4.20	21.00	31.90