

SO-XFP-ER-Dxxxx

XFP, 10GBase-ER, Multirate 9.95-11.1 Gbps, DWDM, SM, DDM, 14dB, 40km

OVERVIEW

The SO-XFP-ER-Dxxxx series single mode transceiver is small form factor pluggable module for duplex optical data communications up to 10G. It is with the SFP+ 20-pin connector to allow hot plug capability. This module is designed for single mode fiber and operates at a nominal wavelength of 1550 nm. The transmitter section uses a DWDM DFB-EML, which is class 1 laser compliant according to International Safety Standard IEC-60825. The DWDM modules operate at nominal Dense Wavelength Division Multiplexing (DWDM) wavelengths on the 100GHz grid as defined in the ITU-T 694.1 standard. The receiver section uses an integrated InGaAs detector preamplifier (IDP) mounted in an optical header and a limiting post-amplifier IC.

PRODUCT FEATURES

- Supports 9.95Gb/s to 11.1Gb/s bit rates
- Hot-Pluggable XFP footprint
- 14dB power budget
- 100GHz ITU Grid, C-band
- Duplex LC connector
- Built-in digital diagnostic functions
- Support line side loopback
- Support XFI loopback
- Auxiliary 1 monitoring laser temperature
- Auxiliary 2 monitoring 5V supply
- Operating case temperature
 - Standard: 0°C +70°C
 - Extended: -20°C to 85°C

ORDERING INFORMATION

Part Number	Description
SO-XFP-ER-Dxxxx*	XFP, 10GBase-ER, Multirate 9.95-11.1 Gbps, DWDM, SM, DDM, 14dB, 40km
SO-XFP-ER-Dxxxx-E*	XFP, 10GBase-ER, Multirate 9.95-11.1 Gbps, DWDM, SM, DDM, 14dB, 40km ext. temp

*xxxx = Refers to notation for frequency data. Please see extended order information on last pages for additional information.

APPLICATIONS

- 10GBASE-ER/EW Ethernet
- 1200-SM-LL-L 10G Fiber Channel
- SONET OC-192 IR-2
- SDH STM S-64.2b
- SONET OC-192 IR-3

Subject to change without notice.

For more information, visit smaroptics.com.

- SDH STM S-64.3b
- ITU-T G.709

ABSOLUTE MAXIMUM RATINGS

Parameter	Symbol	Min.	Max.	Unit
Maximum Supply Voltage 1	Vcc3	-0.5	4.0	V
Maximum Supply Voltage 2	Vcc5	-0.3	6.0	V
Storage Temperature	TS	-40	85	°C

RECOMMENDED OPERATING CONDITIONS

Parameter	Symbol	Min.	Typ	Max.	Unit
Supply Voltage 1	Vcc3	3.13	3.3	3.45	V
Supply Voltage 2	Vcc5	4.75	5	5.25	V
Case Operating Temperature	Tc	SO-XFP-ER-Dxxxx	0	70	°C
		SO-XFP-ER-Dxxxx-E	-20	85	°C

GENERAL SPECIFICATIONS

Parameter	Symbol	Min	Typ	Max	Unit	Notes
Main Supply Voltage	Vcc5	4.75		5.25	V	
Supply Voltage #2	Vcc3	3.13		3.45	V	
Supply Current – Vcc5 supply	Icc5			500	mA	
Supply Current – Vcc3 supply	Icc3			750	mA	

PERFORMANCE SPECIFICATIONS – ELECTRICAL TRANSMITTER

Parameter	Symbol	Min	Typ	Max	Unit	Notes
Input Impedance (Differential)	Rin		100		Ω	Internal AC coupling
Differential Data Input Swing	Vin, pp	120		820	mV	
Transmit Disable Voltage	VD	2.0		Vcc	V	
Transmit Enable Voltage	VEN	GND		GND+0.8	V	
Transmit Disable Assert Time				10	μs	

PERFORMANCE SPECIFICATIONS – ELECTRICAL RECEIVER

Parameter	Symbol	Min	Typ	Max	Unit	Notes	
Differential Data Output Swing	Vout, pp	340	650	850	mV		
Data Output Rise Time	Tr			38	ps		
Data Output Fall Time	Tf			38	ps	20% – 80%	
LOS Fault	VLOS Fault	Vcc – 0.5		VccHOST	V	20% – 80%	
LOS Normal	VLOS Normal	GND		GND+0.5	V		
Power Supply Noise Rejection	PSNR	Compliant to Section 2.7.1 of XFP MSA					

Subject to change without notice.

For more information, visit smaroptics.com.

PERFORMANCE SPECIFICATIONS – OPTICAL TRANSMITTER

Parameter	Symbol	Min.	Typ	Max.	Unit
Output Opt. Pwr: 9/125 SMF	P_{out}	-1	1550	+4	dBm
Center Wavelength Spacing			100		GHz
				0.8	
Optical Wavelength-EOL	λ_C	X-100	X	X+100	Pm
Transmitter Center Wavelength –BOL	λ_C	X-40	X	X+40	Pm
Optical Extinction Ratio	ER	8.2			dB
Transmitter and Dispersion Penalty	TDP			2	dB
Side Mode Suppression Ratio	$SMSR$	30			dB
TX Jitter Generation (peak-to-peak)	TXj			0.1	UI
TX Jitter Generation (RMS)	TXj_{RMS}			0.01	UI

PERFORMANCE SPECIFICATIONS – OPTICAL RECEIVER

Parameter	Symbol	Min.	Typ	Max.	Unit
Receiver Sensitivity @ 9.95Gb/s	P_{min}			-15	dBm
Maximum Input Power	P_{max}	0.5			dBm
Optical Center Wavelength	λ_C	1270		1600	nm
Path Penalty				2	dB
Receiver Reflectance	R_{rx}			-27	dB
LOS De-Assert	$LOSD$			-17	dBm
LOS Assert	$LOSA$	-29			dBm
LOS Hysteresis		1			dB

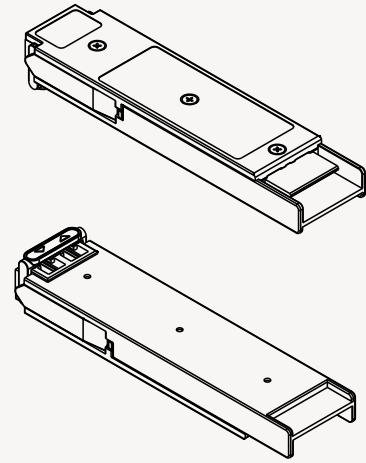
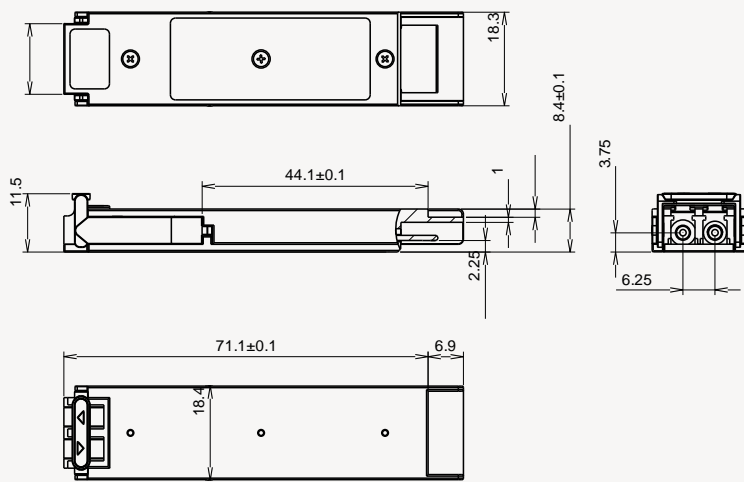
PIN FUNCTION DEFINITIONS

PIN	Signal Name	Description	PIN	Signal Name	Description
1	$V_{EE}T$	Transmitter Ground	11	$V_{EE}R$	Receiver Ground
2	TX_Fault	Transmitter Fault Indication	12	RD-	Inv. Received Data Out
3	TX_Disable	Transmitter Disable	13	RD+	Received Data Out
4	SDA	Module Definition 2	14	$V_{EE}R$	Receiver Ground
5	SCL	Module Definition 1	15	$V_{CC}R$	Receiver Power
6	MOD_ABS	Module Definition 0	16	$V_{CC}T$	Transmitter Power
7	RS0	RX Rate Select (LVTTTL).	17	$V_{EE}T$	Transmitter Ground
8	LOS	Loss of Signal	18	TD+	Transmit Data In
9	RS1	TX Rate Select (LVTTTL).	19	TD-	Inv. Transmit Data In
10	$V_{EE}R$	Receiver Ground	20	$V_{EE}T$	Transmitter Ground

Subject to change without notice.

For more information, visit smaroptics.com.

MECHANICAL SPECIFICATIONS



EXTENDED ORDERING INFORMATION, STANDARD

Part Number	ITU channel no.	Frequency [THz]	Center Wavelength (nm)
SO-XFP-ER-D9180	18.0	191.80	1563.05
SO-XFP-ER-D9190	19.0	192.90	1562.23
SO-XFP-ER-D9200	20.0	192.00	1561.42
SO-XFP-ER-D9210	21.0	192.10	1560.61
SO-XFP-ER-D9220	22.0	192.20	1559.79
SO-XFP-ER-D9230	23.0	192.30	1558.98
SO-XFP-ER-D9240	24.0	192.40	1558.17
SO-XFP-ER-D9250	25.0	192.50	1557.36
SO-XFP-ER-D9260	26.0	192.60	1556.55
SO-XFP-ER-D9270	27.0	192.70	1555.75
SO-XFP-ER-D9280	28.0	192.80	1554.94
SO-XFP-ER-D9290	29.0	192.90	1554.13
SO-XFP-ER-D9300	30.0	193.00	1553.33
SO-XFP-ER-D9310	31.0	193.10	1552.52
SO-XFP-ER-D9320	32.0	193.20	1551.72
SO-XFP-ER-D9330	33.0	193.30	1550.92
SO-XFP-ER-D9340	34.0	193.40	1550.12
SO-XFP-ER-D9350	35.0	193.50	1549.32
SO-XFP-ER-D9360	36.0	193.60	1548.51
SO-XFP-ER-D9370	37.0	193.70	1547.72
SO-XFP-ER-D9380	38.0	193.80	1546.92
SO-XFP-ER-D9390	39.0	193.90	1546.12
SO-XFP-ER-D9400	40.0	194.00	1545.32
SO-XFP-ER-D9410	41.0	194.10	1544.53
SO-XFP-ER-D9420	42.0	194.20	1543.73
SO-XFP-ER-D9430	43.0	194.30	1542.94
SO-XFP-ER-D9440	44.0	194.40	1542.14
SO-XFP-ER-D9450	45.0	194.50	1541.35
SO-XFP-ER-D9460	46.0	194.60	1540.56
SO-XFP-ER-D9470	47.0	194.70	1539.77
SO-XFP-ER-D9480	48.0	194.80	1538.98
SO-XFP-ER-D9490	49.0	194.90	1538.18
SO-XFP-ER-D9500	50.0	195.00	1537.40
SO-XFP-ER-D9510	51.0	195.10	1536.61
SO-XFP-ER-D9520	52.0	195.20	1535.82
SO-XFP-ER-D9530	53.0	195.30	1535.04
SO-XFP-ER-D9540	54.0	195.40	1534.25
SO-XFP-ER-D9550	55.0	195.50	1533.47
SO-XFP-ER-D9560	56.0	195.60	1532.68
SO-XFP-ER-D9570	57.0	195.70	1531.90
SO-XFP-ER-D9580	58.0	195.80	1531.12
SO-XFP-ER-D9590	59.0	195.90	1530.33
SO-XFP-ER-D9600	60.0	196.00	1529.55
SO-XFP-ER-D9610	61.0	196.10	1528.77

Subject to change without notice.

For more information, visit smaroptics.com.

EXTENDED ORDERING INFORMATION, EXTENDED

Part Number	ITU channel no.	Frequency [THz]	Center Wavelength (nm)
SO-XFP-ER-D9180-E	18.0	191.80	1563.05
SO-XFP-ER-D9190-E	19.0	192.90	1562.23
SO-XFP-ER-D9200-E	20.0	192.00	1561.42
SO-XFP-ER-D9210-E	21.0	192.10	1560.61
SO-XFP-ER-D9220-E	22.0	192.20	1559.79
SO-XFP-ER-D9230-E	23.0	192.30	1558.98
SO-XFP-ER-D9240-E	24.0	192.40	1558.17
SO-XFP-ER-D9250-E	25.0	192.50	1557.36
SO-XFP-ER-D9260-E	26.0	192.60	1556.55
SO-XFP-ER-D9270-E	27.0	192.70	1555.75
SO-XFP-ER-D9280-E	28.0	192.80	1554.94
SO-XFP-ER-D9290-E	29.0	192.90	1554.13
SO-XFP-ER-D9300-E	30.0	193.00	1553.33
SO-XFP-ER-D9310-E	31.0	193.10	1552.52
SO-XFP-ER-D9320-E	32.0	193.20	1551.72
SO-XFP-ER-D9330-E	33.0	193.30	1550.92
SO-XFP-ER-D9340-E	34.0	193.40	1550.12
SO-XFP-ER-D9350-E	35.0	193.50	1549.32
SO-XFP-ER-D9360-E	36.0	193.60	1548.51
SO-XFP-ER-D9370-E	37.0	193.70	1547.72
SO-XFP-ER-D9380-E	38.0	193.80	1546.92
SO-XFP-ER-D9390-E	39.0	193.90	1546.12
SO-XFP-ER-D9400-E	40.0	194.00	1545.32
SO-XFP-ER-D9410-E	41.0	194.10	1544.53
SO-XFP-ER-D9420-E	42.0	194.20	1543.73
SO-XFP-ER-D9430-E	43.0	194.30	1542.94
SO-XFP-ER-D9440-E	44.0	194.40	1542.14
SO-XFP-ER-D9450-E	45.0	194.50	1541.35
SO-XFP-ER-D9460-E	46.0	194.60	1540.56
SO-XFP-ER-D9470-E	47.0	194.70	1539.77
SO-XFP-ER-D9480-E	48.0	194.80	1538.98
SO-XFP-ER-D9490-E	49.0	194.90	1538.18
SO-XFP-ER-D9500-E	50.0	195.00	1537.40
SO-XFP-ER-D9510-E	51.0	195.10	1536.61
SO-XFP-ER-D9520-E	52.0	195.20	1535.82
SO-XFP-ER-D9530-E	53.0	195.30	1535.04
SO-XFP-ER-D9540-E	54.0	195.40	1534.25
SO-XFP-ER-D9550-E	55.0	195.50	1533.47
SO-XFP-ER-D9560-E	56.0	195.60	1532.68
SO-XFP-ER-D9570-E	57.0	195.70	1531.90
SO-XFP-ER-D9580-E	58.0	195.80	1531.12
SO-XFP-ER-D9590-E	59.0	195.90	1530.33
SO-XFP-ER-D9600-E	60.0	196.00	1529.55
SO-XFP-ER-D9610-E	61.0	196.10	1528.77

Subject to change without notice.

For more information, visit smaroptics.com.