

SO-XFP-8G-ZR-Dxxxx

XFP, 8.5 Gbps, DWDM, SM, DDM, 24dB, 80km

OVERVIEW

The SO-XFP-8G-ZR-Dxxxx series single mode transceiver is small form factor pluggable module for duplex optical data communications up to 10G. It is with the SFP+ 20-pin connector to allow hot plug capability. This module is designed for single mode fiber and operates at a nominal wavelength of 1550 nm. The transmitter section uses a 1550nm EML, which is class 1 laser compliant according to International Safety Standard IEC-60825. The receiver section uses an integrated InGaAs detector preamplifier (IDP) mounted in an optical header and a limiting post-amplifier IC.

PRODUCT FEATURES

- Available in all C-band wavelength on the 100GHz ITU-T grid
- Supports 8.5Gb/s bit rates
- Hot-Pluggable XFP footprint
- Power budget 24dB
- Temperature-stabilized DWDM rated EML transmitter
- Duplex LC connector
- Built-in digital diagnostic functions
- Support CDR function
- Support line side loopback
- Support XFI loopback
- Auxiliary 1 monitoring laser temperature
- Auxiliary 2 monitoring 3.3V supply
- Temperature range -5°C to 70°C

APPLICATIONS

- 800-SM-LC-L Fiber Channel
- Other optical links

ORDERING INFORMATION

Part Number	Description
SO-XFP-8G-ZR-Dxxxx*	XFP, 8.5 Gbps, DWDM, SM, DDM, 24dB, 80km

*xxxx = Refers to notation for frequency data. Please see extended order information on last page for additional information.

ABSOLUTE MAXIMUM RATINGS

Parameter	Symbol	Min.	Max.	Unit
Maximum Supply Voltage 1	Vcc3	-0.5	4.0	V
Maximum Supply Voltage 2	Vcc5	-0.5	6.0	V
Storage Temperature	TS	-40	85	°C
Case Operating Temperature	TOP	-5	70	°C
Maximum Input Power	Pm		-8	dBm

RECOMMENDED OPERATING CONDITIONS

Parameter	Symbol	Min.	Typ	Max.	Unit
Operating Case Temperature	TOP	-5		70	°C
Supply Voltage 1	Vcc3	3.13	3.3	3.45	V
Supply Voltage 2	Vcc5	4.75	5	5.25	V

ELECTRICAL CHARACTERISTICS

Parameter	Symbol	Min	Typ	Max	Unit	Notes
Main Supply Voltage	Vcc5	4.75		5.25	V	
Supply Voltage #2	Vcc3	3.13		3.45	V	
Supply Current – Vcc5 supply	Icc5			350	mA	
Supply Current – Vcc3 supply	Icc3			520	mA	
Module Total Power	P			3.5	W	

ELECTRICAL CHARACTERISTICS TRANSMITTER

Parameter	Symbol	Min	Typ	Max	Unit	Notes
Input Impedance (Differential)	Rin		100		Ω	
Differential Data Input Swing	Vin, pp	120		820	mV	
Transmit Disable Voltage	VD	2.0		Vcc	V	
Transmit Enable Voltage	VEN	GND		GND+0.8	V	
Transmit Disable Assert Time				10	μs	

ELECTRICAL CHARACTERISTICS RECEIVER

Parameter	Symbol	Min	Typ	Max	Unit	Notes
Differential Data Output Swing	Vout,pp	340	650	850	mV	
Data Output Rise Time	Tr			38	ps	
Data Output Fall Time	Tf			38	ps	
LOS Fault	VLOS Fault	Vcc – 0.5		VccHOST	V	
LOS Normal	VLOS Normal	GND		GND+0.5	V	

Subject to change without notice.

For more information, visit smaroptics.com.

OPTICAL CHARACTERISTICS TRANSMITTER

Parameter	Symbol	Min.	Typ	Max.	Unit
Output Opt. Pwr: 9/125 SMF	P_{out}	-1		+4	dBm
Frequency Range		191.7		196.1	THz
Centre Wavelength Spacing	Δc		100		GHz
Centre Frequency Spacing	Δf		0.8		nm
Transmitter Center Wavelength End Of Life	λ	X-100	X	X+100	pm
Transmitter Center Wavelength Beginning Of Life	λ	X-25	X	X+25	
Optical Extinction Ratio	ER	8.2			dB
Transmitter and Dispersion Penalty	TDP			2	dB
Average Launch Power of OFF transmitter	$POFF$			-30	dBm
TX Jitter Generation (peak-to-peak)	TXj			0.1	UI
TX Jitter Generation (RMS)	TXj_{RMS}			0.01	UI

OPTICAL CHARACTERISTICS RECEIVER

Parameter	Symbol	Min.	Typ	Max.	Unit
Optical Centre Wavelength	λ_c	1520		1600	nm
Receive Sensitivity @ 10.5Gbps	PIN			-25	dBm
Receive Overload @ 10.5Gbps		-10			dBm
Receiver Reflectance	R_{rx}			-27	dB
Path Penalty				2	dB
LOS De-Assert	$LOSD$			-30	dBm
LOS Assert	$LOSA$	-37			dBm
LOS Hysteresis		0.5			dB

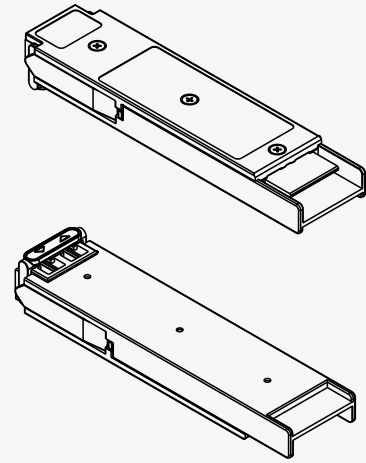
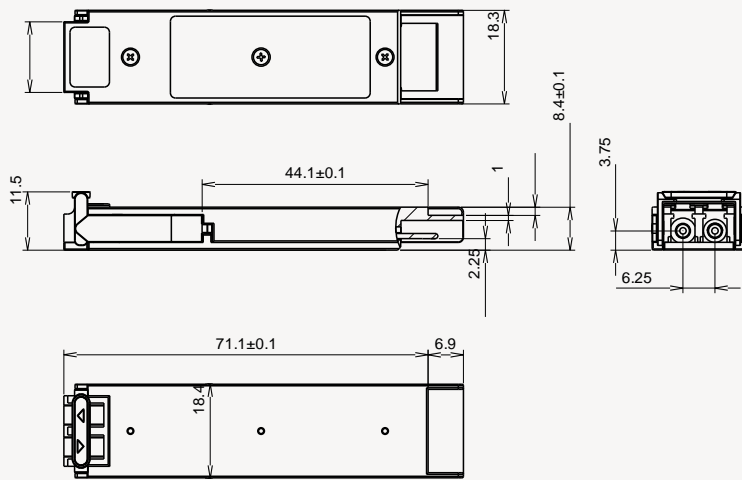
PIN FUNCTION DEFINITIONS

PIN	Signal Name	Description	PIN	Signal Name	Description
1	$V_{EE T}$	Transmitter Ground	11	$V_{EE R}$	Receiver Ground
2	TX_Fault	Transmitter Fault Indication	12	RD-	Inv. Received Data Out
3	TX_Disable	Transmitter Disable	13	RD+	Received Data Out
4	SDA	Module Definition 2	14	$V_{EE R}$	Receiver Ground
5	SCL	Module Definition 1	15	$V_{CC R}$	Receiver Power
6	MOD_ABS	Module Definition 0	16	$V_{CC T}$	Transmitter Power
7	RS0	RX Rate Select (LVTTTL).	17	$V_{EE T}$	Transmitter Ground
8	LOS	Loss of Signal	18	TD+	Transmit Data In
9	RS1	TX Rate Select (LVTTTL).	19	TD-	Inv. Transmit Data In
10	$V_{EE R}$	Receiver Ground	20	$V_{EE T}$	Transmitter Ground

Subject to change without notice.

For more information, visit smaroptics.com.

MECHANICAL SPECIFICATIONS



EXTENDED ORDERING INFORMATION

Part Number	ITU channel no.	Frequency (THz)	Center Wavelength (nm)
SO-XFP-8G-ZR-D9180	18.0	191.80	1563.05
SO-XFP-8G-ZR-D9190	19.0	192.90	1562.23
SO-XFP-8G-ZR-D9200	20.0	192.00	1561.42
SO-XFP-8G-ZR-D9210	21.0	192.10	1560.61
SO-XFP-8G-ZR-D9220	22.0	192.20	1559.79
SO-XFP-8G-ZR-D9230	23.0	192.30	1558.98
SO-XFP-8G-ZR-D9240	24.0	192.40	1558.17
SO-XFP-8G-ZR-D9250	25.0	192.50	1557.36
SO-XFP-8G-ZR-D9260	26.0	192.60	1556.55
SO-XFP-8G-ZR-D9270	27.0	192.70	1555.75
SO-XFP-8G-ZR-D9280	28.0	192.80	1554.94
SO-XFP-8G-ZR-D9290	29.0	192.90	1554.13
SO-XFP-8G-ZR-D9300	30.0	193.00	1553.33
SO-XFP-8G-ZR-D9310	31.0	193.10	1552.52
SO-XFP-8G-ZR-D9320	32.0	193.20	1551.72
SO-XFP-8G-ZR-D9330	33.0	193.30	1550.92
SO-XFP-8G-ZR-D9340	34.0	193.40	1550.12
SO-XFP-8G-ZR-D9350	35.0	193.50	1549.32
SO-XFP-8G-ZR-D9360	36.0	193.60	1548.51
SO-XFP-8G-ZR-D9370	37.0	193.70	1547.72
SO-XFP-8G-ZR-D9380	38.0	193.80	1546.92
SO-XFP-8G-ZR-D9390	39.0	193.90	1546.12
SO-XFP-8G-ZR-D9400	40.0	194.00	1545.32
SO-XFP-8G-ZR-D9410	41.0	194.10	1544.53
SO-XFP-8G-ZR-D9420	42.0	194.20	1543.73
SO-XFP-8G-ZR-D9430	43.0	194.30	1542.94
SO-XFP-8G-ZR-D9440	44.0	194.40	1542.14
SO-XFP-8G-ZR-D9450	45.0	194.50	1541.35
SO-XFP-8G-ZR-D9460	46.0	194.60	1540.56
SO-XFP-8G-ZR-D9470	47.0	194.70	1539.77
SO-XFP-8G-ZR-D9480	48.0	194.80	1538.98
SO-XFP-8G-ZR-D9490	49.0	194.90	1538.18
SO-XFP-8G-ZR-D9500	50.0	195.00	1537.40
SO-XFP-8G-ZR-D9510	51.0	195.10	1536.61
SO-XFP-8G-ZR-D9520	52.0	195.20	1535.82
SO-XFP-8G-ZR-D9530	53.0	195.30	1535.04
SO-XFP-8G-ZR-D9540	54.0	195.40	1534.25
SO-XFP-8G-ZR-D9550	55.0	195.50	1533.47
SO-XFP-8G-ZR-D9560	56.0	195.60	1532.68
SO-XFP-8G-ZR-D9570	57.0	195.70	1531.90
SO-XFP-8G-ZR-D9580	58.0	195.80	1531.12
SO-XFP-8G-ZR-D9590	59.0	195.90	1530.33
SO-XFP-8G-ZR-D9600	60.0	196.00	1529.55
SO-XFP-8G-ZR-D9610	61.0	196.10	1528.77

Subject to change without notice.

For more information, visit smaroptics.com.