

SO-SFP-MR25-BX40D-34

SFP BIDI, 100Mbps-2.7Gbps, TX/RX=1310/1490nm, SM, DDM, 18dB, 40km, LC

OVERVIEW

The SO-SFP-MR25-BX40D-34 series are small form factor pluggable module for OC-48 / STM-16 and Fiber Channel single fiber communications by using 1310nm/1490nm transmitter and 1490nm/1310nm receiver. It is with the SFP 20-pin connector to allow hot plug capability. The transmitter section uses a Distributed feedback laser and is a class 1 laser compliant according to International Safety Standard IEC 60825. The receiver section PIN or APD mounted in an optical header and a limiting post-amplifier IC. The SO-SFP-MR25-BX40D-34 series are designed to be compliant with SFF-8472 SFP MSA.

PRODUCT FEATURES

- Support up to 2.5Gbps data links
- A type: 1310nm FP Tx/1490nm Rx
- 15km with 9/125 μ m SMF
- Single 3.3V power supply and TTL logic interface
- Hot-Pluggable SFP footprint simplex LC connector interface
- Class 1 FDA and IEC60825-1 laser safety compliant
- Operating case temperature
 - Standard: 0°C ~ +70°C
 - Industrial: -40°C ~ +85°C
- Compliant with SFP MSA
- Compliant with SFF-8472

APPLICATIONS

- Single fiber SAN, WAN, WDM links
- Sonet / SDH
- Fibre Channel / Ethernet
- Equipment connectivity

ORDERING INFORMATION

Part Number	Description
SO-SFP-MR25-BX40D-34	SFP BIDI, 100Mbps-2.7Gbps, TX/RX=1310/1490nm, SM, DDM, 18dB, 40km, LC
SO-SFP-MR25-BX40D-34 -I	SFP BIDI, 100Mbps-2.7Gbps, TX/RX=1310/1490nm, SM, DDM, 18dB, 40km, LC, ind. temp

Subject to change without notice.

For more information, visit smaroptics.com.

ABSOLUTE MAXIMUM RATINGS

Parameter	Symbol	Min	Max	Unit
Storage Temperature	TS	-40	+85	°C
Supply Voltage	VCC	-0.5	3.6	V
Operating Relative Humidity			95	%

RECOMMENDED OPERATING CONDITIONS

Parameter	Symbol	Min	Typ	Max	Unit
Case Operating Temperature	TA	SO-SFP-MR25-BX40D-34		+70	°C
		SO-SFP-MR25-BX40D-34 -I	-40	+85	
Power Supply Voltage	Vcc	3.15	3.3	3.45	V
Power Supply Current	Icc			300	mA
Data rate	FC		1.063		Gbps
	2xFC		2.125		
	OC-48/STM-16		2.5		

PERFORMANCE SPECIFICATIONS – ELECTRICAL TRANSMITTER

Parameter	Symbol	Min	Typ	Max	Unit	Notes
LVPECL Compatible Inputs(Differential)	V _{IN}	400		2000	mVpp	AC coupled inputs
Input Impedance (Differential)	Z _{IN}	85	100	115	ohms	R _{in} > 100 kohms @ DC
TX Disable	Disable	2		Vcc	V	
	Enable	0		0.8		
TX FAULT	Fault	2		Vcc+0.3	V	
	Normal	0		0.5		

PERFORMANCE SPECIFICATIONS – ELECTRICAL RECEIVER

Parameter	Symbol	Min	Typ	Max	Unit	Notes
CML Outputs (Differential)	V _{out}	370		2000	mVpp	AC coupled outputs
Output Impedance (Differential)	Z _{out}	85	100	115	ohms	
Rx_LOS Output Voltage – High		2		Vcc+0.3	V	
Rx_LOS Output Voltage – Low		0		0.8	V	
MOD_DEF (2:0)	VoH	2.5			V	With Serial ID
	VoL	0		0.5	V	

OPTICAL AND ELECTRICAL CHARACTERISTICS

Parameter	Symbol	Min	Typ	Max	Unit
9µm Core Diameter SMF	L		40		km
Data Rate		1.063		2.5	Gbps

OPTICAL AND ELECTRICAL CHARACTERISTICS TRANSMITTER

Parameter	Symbol	Min	Typ	Max	Unit
Centre Wavelength	λ_c	1260	1310	1360	nm
Spectral Width (RMS)	$\Delta\lambda$			1	nm
Side Mode Suppression Ratio	SMSR	30			dB
Average Output Power	P_{out}	-2		+3	dBm
Extinction Ratio	ER	8.2			dB
Rise/Fall Time(20%~80%)	t_r/t_f			150	ps
Output Optical Eye		Compatible with ITU-T G.957			
TX Disable Assert Time	t_{off}			10	us
Pout@TX Disable Asserted	P_{out}			-45	dBm

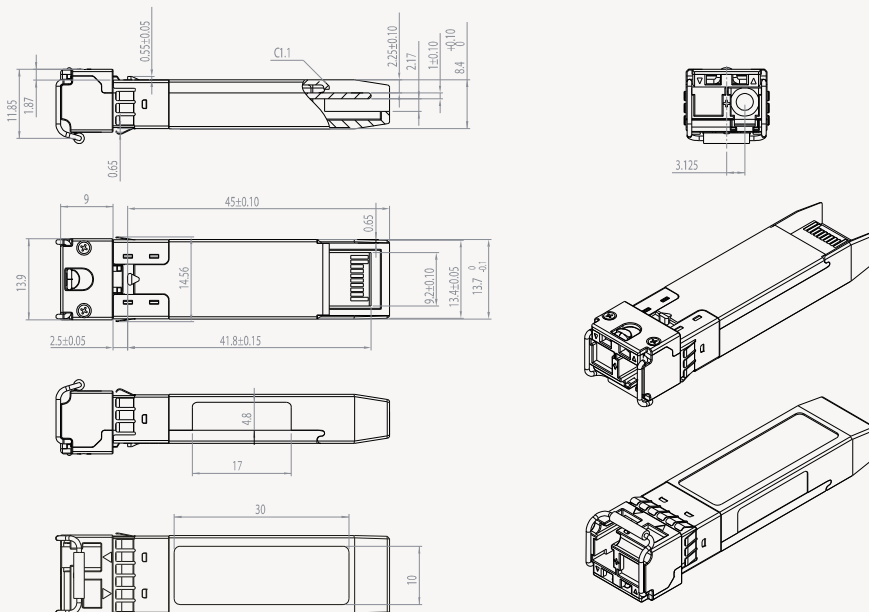
OPTICAL AND ELECTRICAL CHARACTERISTICS RECEIVER

Parameter	Symbol	Min	Typ	Max	Unit
Centre Wavelength	λ_c	1480	1490	1500	nm
Receiver Sensitivity@1250Mbps	P_{min}			-20	dBm
Receiver Overload	P_{max}	-3			dBm
Reflection				-27	dB
LOS De-Assert	LOSD			-21	dBm
LOS Assert	LOSA	-45			dBm
LOS Hysteresis		0.5			dB

PIN ASSIGNMENT ACCORDING TO MSA

PIN	Signal Name	Description	PIN	Signal Name	Description
1	V _{EE} T	Transmitter Signal Ground	11	V _{EE} R	Receiver Signal Ground
2	TX_Fault	Transmitter Fault Indication. Logic "1" Output = Laser Fault. Logic "0" Output = Normal Operation	12	RD-	Inverse Receiver Data Out
3	TX_Disable	Logic "1" Input (or no connection) = Laser off, Logic "0" = Laser on.	13	RD+	Receiver Data Out
4	SDA	Modulation Definition 2 – Two wires serial ID Interface	14	V _{EE} R	Receiver Signal Ground
5	SDL	Modulation Definition 1 – Two wires serial ID Interface	15	V _{CC} R	Receiver Power – 3.3V±5%
6	MOD-ABS	Modulation Definition 0 – Ground in Module	16	V _{CC} T	Transmitter Power – 3.3V±5%
7	RS0	RX Rate Select (LVTTTL). This pin has an internal 30k pull-down to ground. A signal on this pin will not affect module performance.	17	V _{EE} T	Transmitter Signal Ground
8	RX_LOS	Loss of Signal Out (OC).	18	TD+	Transmitter Data In
9	RS1	TX Rate Select (LVTTTL). This pin has an internal 30k pull-down to ground. A signal on this pin will not affect module performance.	19	TD-	Inverse Transmitter Data In
10	V _{EE} R	Receiver Signal Ground	20	V _{EE} T	Transmitter Signal Ground

MECHANICAL DIMENSIONS



Subject to change without notice.

For more information, visit smaroptics.com.