

SO-SFP-100BASE-ZXD

SFP, 100/155Mbps FE, 1550nm, SM, DDM, 34dB, 80km

OVERVIEW

The SO-SFP-100Base-ZXD series single-mode transceiver is small form factor pluggable module for duplex optical data communications such as Fast Ethernet and OC-3/STM-1 SDH/SONET. It is with the SFP 20-pin connector to allow hot plug capability. This module is designed for single-mode fiber and operates at a nominal wavelength of 1550nm. The transmitter section uses a multiple quantum well 1550nm DFB laser and is a class 1 laser compliant according to International Safety Standard IEC 60825. The receiver section uses an integrated InGaAs detector preamplifier (IDP) mounted in an optical header and a limiting post-amplifier IC. The SO-SFP-100BASE-ZXD series are designed to be compliant with SFF-8472 Multi-Source Agreement (MSA).

PRODUCT FEATURES

- Operating data rate up to 155Mbps
- 80km with 9/125 μm SMF
- Single 3.3V power supply and TTL logic interface
- Hot-Pluggable SFP footprint duplex LC connector interface
- Class 1 FDA and IEC60825-1 laser safety compliant
- Operating temperature
 - Standard: 0 °C~+70 °C
 - Industrial: -40 °C~+85 °C
- Compliant with SFP MSA specification
- Compliant with Digital Diagnostic Monitor (DDM) interface
- RoHS 6/6 compliant

APPLICATIONS

- Fast Ethernet
- SDH/SONET
- ATM switches and routers
- Other optical links

ORDERING INFORMATION

Part Number	Description
SO-SFP-100Base-ZXD	SFP, 100/155Mbps FE, 1550nm, SM, DDM, 34dB, 80km
SO-SFP-100Base-ZXD-I	SFP, 100/155Mbps FE, 1550nm, SM, DDM, 34dB, 80km, ind.temp.

Subject to change without notice.

For more information, visit smaroptics.com.

ABSOLUTE MAXIMUM RATINGS

Parameter	Symbol	Min	Max	Unit
Storage Temperature	TS	-40	+85	°C
Supply Voltage	VCC	-0.5	3.6	V
Operating Relative Humidity			95	%

RECOMMENDED OPERATING CONDITIONS

Parameter	Symbol	Min	Typ	Max	Unit
Case Operating Temperature	TA	SO-SFP-100Base-ZXD	0	+70	°C
		SO-SFP-100Base-ZXD-I	-40	+85	
Power Supply Voltage	Vcc	3.15	3.3	3.45	V
Power Supply Current	Icc			300	mA
Data rate	OC-3/STM-1		155		Mbps
		100M	100		

PERFORMANCE SPECIFICATIONS – ELECTRICAL TRANSMITTER

Parameter	Symbol	Min	Typ	Max	Unit	Notes
LVPECL Inputs(Differential)	V _{IN}	400		2000	mVpp	AC coupled inputs
Input Impedance (Differential)	Z _{IN}	85	100	115	ohms	R _{in} > 100 kohms @ DC
TX Disable	Disable	2		Vcc	V	
	Enable	0		0.8		
TX FAULT	Fault	2		Vcc+0.3	V	
	Normal	0		0.5		

PERFORMANCE SPECIFICATIONS – ELECTRICAL RECEIVER

Parameter	Symbol	Min	Typ	Max	Unit	Notes
LVPECL Outputs (Differential)	V _{out}	400		2000	mVpp	AC coupled outputs
Output Impedance (Differential)	Z _{out}	85	100	115	ohms	
Rx_LOS Output Voltage – High		2		Vcc+0.3	V	
Rx_LOS Output Voltage – Low		0		0.8	V	
MOD_DEF (2:0)	VoH	2.5			V	With Serial ID
	VoL	0		0.5	V	

OPTICAL AND ELECTRICAL CHARACTERISTICS

Parameter	Symbol	Min	Typ	Max	Unit
9µm Core Diameter MMF	L		80		km
Data Rate			100/155		Mbps

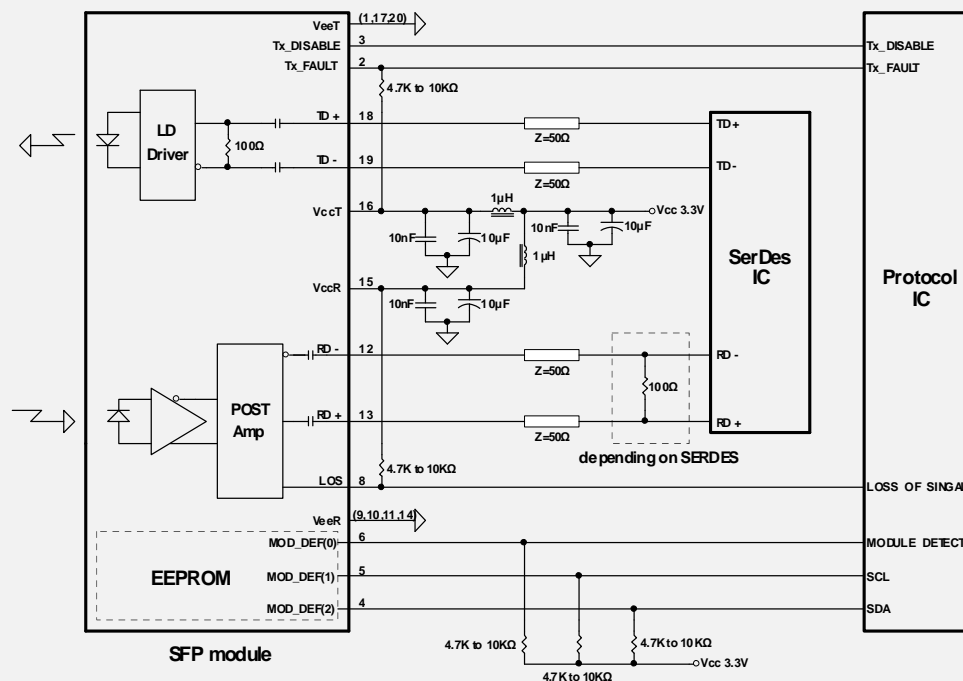
OPTICAL AND ELECTRICAL CHARACTERISTICS TRANSMITTER

Parameter	Symbol	Min	Typ	Max	Unit
Centre Wavelength	λ_c	1480	1550	1580	nm
Spectral Width (RMS))	$\Delta\lambda$			1	nm
Average Output Power	P_{out}	-5		0	dBm
Extinction Ratio	ER	10			dB
Side Mode Suppression Ratio	SMSR	30			dB
Rise/Fall Time(20%~80%)	t_r/t_f			2	ns
Output Optical Eye		IUT-T G.957 Compliant			
TX Disable Assert Time	t_{off}			10	us

OPTICAL AND ELECTRICAL CHARACTERISTICS RECEIVER

Parameter	Symbol	Min	Typ	Max	Unit
Centre Wavelength	λ	1260		1600	nm
Receiver Sensitivity	P_{min}			-34	dBm
Receiver Overload	P_{max}	-10			dBm
Optical Path Penalty				1	dB
LOS De-Assert	LOSD			-35	dBm
LOS Assert	LOSA	-45			dBm
LOS Hysteresis		0.5			dB

RECOMMENDED CIRCUIT SCHEMATIC



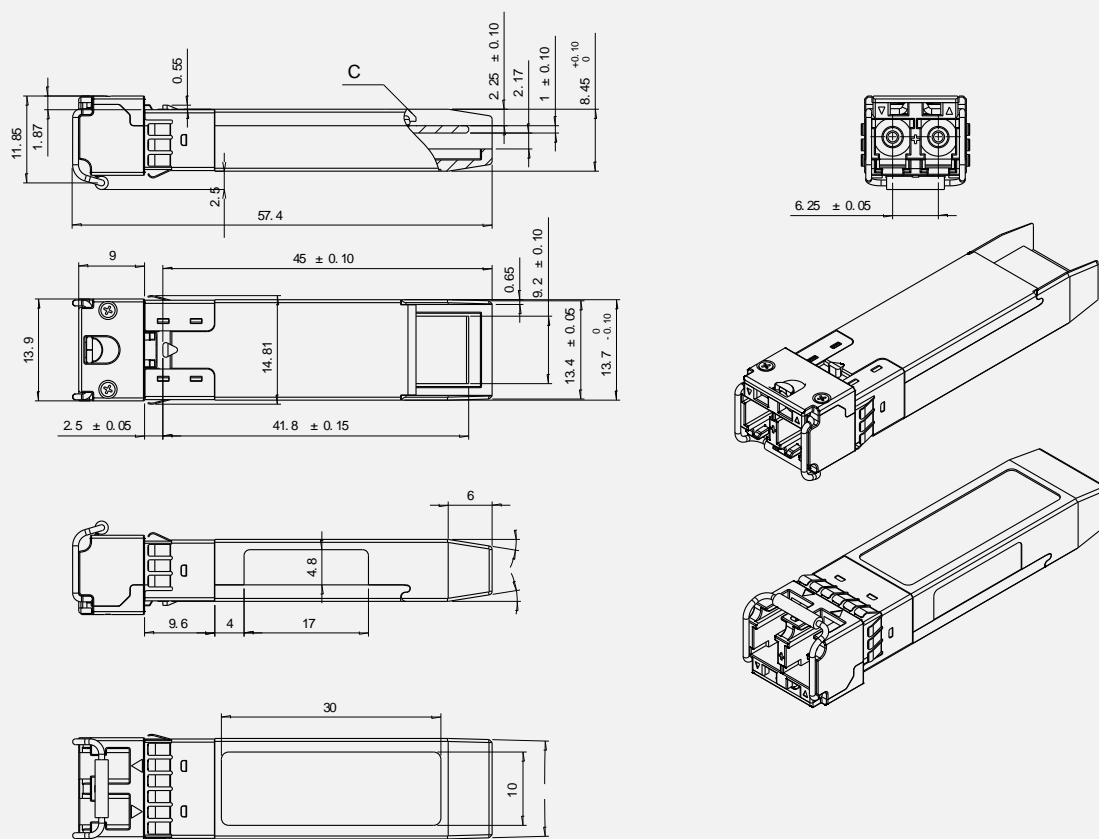
Subject to change without notice.

For more information, visit smaroptics.com.

PIN FUNCTION DEFINITIONS

PIN	Signal Name	Description	PIN	Signal Name	Description
1	VEET	Transmitter Signal Ground	11	VEER	Receiver Signal Ground
2	TX_Fault	Transmitter Fault Indication. Logic "1" Output = Laser Fault. Logic "0" Output = Normal Operation	12	RD-	Inverse Receiver Data Out
3	TX_Disable	Logic "1" Input (or no connection) = Laser off, Logic "0" = Laser on.	13	RD+	Receiver Data Out
4	SDA	Modulation Definition 2 – Two wires serial ID Interface	14	VEER	Receiver Signal Ground
5	SDL	Modulation Definition 1 – Two wires serial ID Interface	15	VCCR	Receiver Power – 3.3V±5%
6	MOD-ABS	Modulation Definition 0 – Ground in Module	16	VCCT	Transmitter Power – 3.3V±5%
7	RS0	RX Rate Select (LVTTL). This pin has an internal 30k pulldown to ground. A signal on this pin will not affect module performance.	17	VEET	Transmitter Signal Ground
8	RX_LOS	Loss of Signal Out (OC).	18	TD+	Transmitter Data In
9	RS1	TX Rate Select (LVTTL). This pin has an internal 30k pulldown to ground. A signal on this pin will not affect module performance.	19	TD-	Inverse Transmitter Data In
10	VEER	Receiver Signal Ground	20	VEET	Transmitter Signal Ground

MECHANICAL DRAWING



Subject to change without notice.

For more information, visit smaroptics.com.