

SO-SFP-100BASE-L200D-Cxx

SFP, 100/155Mbps, CWDM, SM, DDM, 46dB, 200 km

OVERVIEW

The SO-SFP-100Base-L200D-Cxx series single mode transceiver is a small form factor pluggable module for serial optical data communications such as SONET OC-3 / SDH STM-1 and Fast Ethernet. It is with the SFP 20-pin connector to allow hot plug capability. This module is designed for single mode fiber and operates at a nominal wavelength of CWDM. There are eighteen center wavelengths available from 1270nm to 1610nm, with each step 20nm. The transmitter section uses a multiple quantum well CWDM DFB laser and is a class 1 laser compliant according to International Safety Standard IEC-60825. The receiver section uses an integrated InGaAs avalanche photodiode preamplifier (IDP) mounted in an optical header and a limiting post-amplifier IC. The SO-SFP-100Base-L200D-Cxx series are designed to be compliant with SFF-8472.

PRODUCT FEATURES

- Operating data rate up to 155Mbps
- 18-Wavelength CWDM DFB LD transmitter from 1270nm to 1610nm, with step 20nm
- Single 3.3V power supply and TTL logic interface
- Hot-Pluggable SFP footprint duplex LC connector interface
- Compliant with Class 1 FDA and IEC60825-1 laser safety
- Operating case temperature
 - Standard 0°C to 70°C.
 - Extended -20°C to +85°C.
- Compliant with SFP MSA
- Compliant with SFF-8472

APPLICATIONS

- SDH/SONET
- ATM switches and routers
- Fast Ethernet
- Other optical link

ORDERING INFORMATION

Part Number	Description
SO-SFP-100Base-L200D-Cxx*	SFP, 100/155Mbps FE, CWDM, SM, DDM, 46dB, 200km, 1270nm-1610nm
SO-SFP-100Base-L200D-Cxx -E*	SFP, 100/155Mbps FE, CWDM, SM, DDM, 46dB, 200km, 1270nm-1610nm, extended temp

*xx = Refers to notation for frequency data. Please see extended order information on last page for additional information.

ABSOLUTE MAXIMUM RATINGS

Parameter	Symbol	Min	Max	Unit
Storage Temperature	TS	-40	+85	°C
Supply Voltage	VCC	-0.5	3.6	V
Operating Relative Humidity			95	%

RECOMMENDED OPERATING CONDITIONS

Parameter	Symbol	Min	Typ	Max	Unit	
Operating Case Temperature	Tc	SO-SFP-100Base-L200D-Cxx	0		+70	°C
		SO-SFP-100Base-L200D-Cxx -E	-20		+85	°C
Power Supply Voltage	Vcc	3.15	3.3	3.45	V	
Power Supply Current	Icc			300	mA	
Data Rate	OC-3/STM-1		155		Mbps	
		100M	100			

PERFORMANCE SPECIFICATIONS – ELECTRICAL TRANSMITTER

Parameter	Symbol	Min	Typ	Max	Unit	Notes
LVPECL Inputs (Differential)	V_{IN}	400		2000	mVpp	AC coupled inputs
Input Impedance (Differential)	Z_{IN}	85	100	115	ohms	$R_{in} > 100 \text{ kohms @ DC}$
TX Disable	Disable	2		Vcc	V	
	Enable	0		0.8		
TX FAULT	Fault	2		Vcc+0.3	V	
	Normal	0		0.8		

PERFORMANCE SPECIFICATIONS – ELECTRICAL RECEIVER

Parameter	Symbol	Min	Typ	Max	Unit	Notes
LVPECL Outputs (Differential)	V_{out}	370		2000	mVpp	AC coupled outputs
Output Impedance (Differential)	Z_{out}	85	100	115	ohms	
Rx_LOS Output Voltage – High		2		Vcc+0.3	V	
Rx_LOS Output Voltage – Low		0		0.8	V	
MOD_DEF (2:0)	VoH	2.5			V	With Serial ID
	VoL	0		0.8	V	

PERFORMANCE SPECIFICATIONS – OPTICAL

Parameter	Symbol	Min	Typ	Max	Unit
Data Rate			100/155		Mbps

Subject to change without notice.

For more information, visit smaroptics.com.

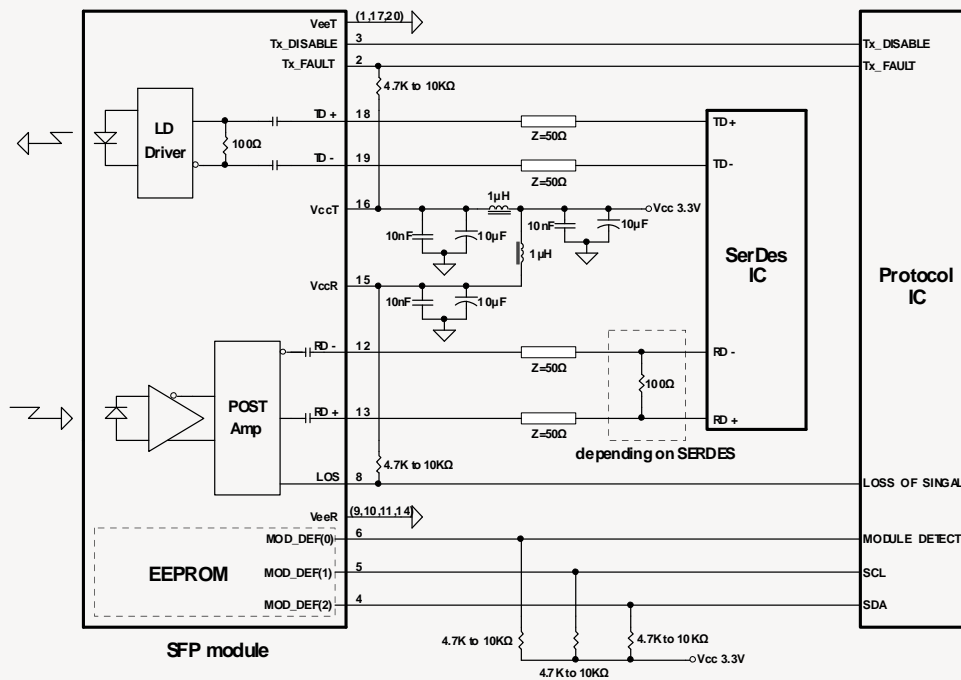
PERFORMANCE SPECIFICATIONS – OPTICAL TRANSMITTER

Parameter	Symbol	Min	Typ	Max	Unit
Centre Wavelength	λ_c	$\lambda_c - 5.5$	λ_c	$\lambda_c + 7.5$	nm
Spectral Width (RMS)	$\Delta\lambda$			1	nm
Average Output Power	P_{out}	1		5	dBm
Extinction Ratio	ER	10			dB
Side Mode Suppression Ratio	SMSR	30			dB
Rise/Fall Time(20%~80%)	tr/tf			2	ns
Output Optical Eye		IUT-T G.957 Compliant			
TX Disable Assert Time	t_{off}			10	us

PERFORMANCE SPECIFICATIONS – OPTICAL RECEIVER

Parameter	Symbol	Min	Typ	Max	Unit
Centre Wavelength	λ	1100		1650	nm
Receiver Sensitivity	P_{min}			-45	dBm
Receiver Overload	P_{max}	-8			dBm
Return Loss		14			dB
Optical Path Penalty				1	dB
LOS De-Assert	LOSD			-45	dBm
LOS Assert	LOSA	-55			dBm
LOS Hysteresis		2			dB

FUNCTIONAL DIAGRAM OF TRANSCEIVER



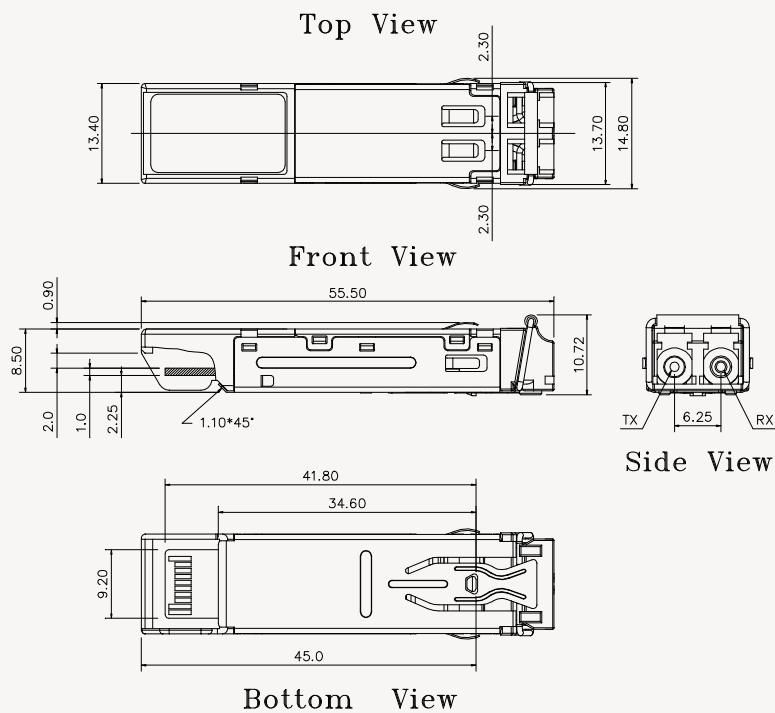
Subject to change without notice.

For more information, visit smaroptics.com.

PIN ASSIGNMENT ACCORDING TO MSA

PIN	Signal Name	Description	PIN	Signal Name	Description
1	V _{EE} T	Transmitter Signal Ground	11	V _{EE} R	Receiver Signal Ground
2	TX_Fault	Transmitter Fault Indication. Logic "1" Output = Laser Fault. Logic "0" Output = Normal Operation	12	RD-	Inverse Receiver Data Out
3	TX_Disable	Logic "1" Input (or no connection) = Laser off, Logic "0" = Laser on.	13	RD+	Receiver Data Out
4	SDA	Modulation Definition 2 – Two wires serial ID Interface	14	V _{EE} R	Receiver Signal Ground
5	SDL	Modulation Definition 1 – Two wires serial ID Interface	15	V _{CC} R	Receiver Power – 3.3V±5%
6	MOD-ABS	Modulation Definition 0 – Ground in Module	16	V _{CC} T	Transmitter Power – 3.3V±5%
7	RS0	RX Rate Select (LVTTTL). This pin has an internal 30k pull-down to ground. A signal on this pin will not affect module performance.	17	V _{EE} T	Transmitter Signal Ground
8	RX_LOS	Loss of Signal Out (OC).	18	TD+	Transmitter Data In
9	RS1	TX Rate Select (LVTTTL). This pin has an internal 30k pull-down to ground. A signal on this pin will not affect module performance.	19	TD-	Inverse Transmitter Data In
10	V _{EE} R	Receiver Signal Ground	20	V _{EE} T	Transmitter Signal Ground

MECHANICAL DIMENSIONS



Subject to change without notice.

For more information, visit smartoptics.com.

EXTENDED ORDERING INFORMATION, STANDARD

Part Number	Description
SO-SFP-100Base-L200D-C27	SFP, 100/155Mbps FE, CWDM, SM, DDM, 46dB, 200km, 1270nm
SO-SFP-100Base-L200D-C29	SFP, 100/155Mbps FE, CWDM, SM, DDM, 46dB, 200km, 1290nm
SO-SFP-100Base-L200D-C31	SFP, 100/155Mbps FE, CWDM, SM, DDM, 46dB, 200km, 1310nm
SO-SFP-100Base-L200D-C33	SFP, 100/155Mbps FE, CWDM, SM, DDM, 46dB, 200km, 1330nm
SO-SFP-100Base-L200D-C35	SFP, 100/155Mbps FE, CWDM, SM, DDM, 46dB, 200km, 1350nm
SO-SFP-100Base-L200D-C37	SFP, 100/155Mbps FE, CWDM, SM, DDM, 46dB, 200km, 1370nm
SO-SFP-100Base-L200D-C39	SFP, 100/155Mbps FE, CWDM, SM, DDM, 46dB, 200km, 1390nm
SO-SFP-100Base-L200D-C41	SFP, 100/155Mbps FE, CWDM, SM, DDM, 46dB, 200km, 1410nm
SO-SFP-100Base-L200D-C43	SFP, 100/155Mbps FE, CWDM, SM, DDM, 46dB, 200km, 1430nm
SO-SFP-100Base-L200D-C45	SFP, 100/155Mbps FE, CWDM, SM, DDM, 46dB, 200km, 1450nm
SO-SFP-100Base-L200D-C47	SFP, 100/155Mbps FE, CWDM, SM, DDM, 46dB, 200km, 1470nm
SO-SFP-100Base-L200D-C49	SFP, 100/155Mbps FE, CWDM, SM, DDM, 46dB, 200km, 1490nm
SO-SFP-100Base-L200D-C51	SFP, 100/155Mbps FE, CWDM, SM, DDM, 46dB, 200km, 1510nm
SO-SFP-100Base-L200D-C53	SFP, 100/155Mbps FE, CWDM, SM, DDM, 46dB, 200km, 1530nm
SO-SFP-100Base-L200D-C55	SFP, 100/155Mbps FE, CWDM, SM, DDM, 46dB, 200km, 1550nm
SO-SFP-100Base-L200D-C57	SFP, 100/155Mbps FE, CWDM, SM, DDM, 46dB, 200km, 1570nm
SO-SFP-100Base-L200D-C59	SFP, 100/155Mbps FE, CWDM, SM, DDM, 46dB, 200km, 1590nm
SO-SFP-100Base-L200D-C61	SFP, 100/155Mbps FE, CWDM, SM, DDM, 46dB, 200km, 1610nm

EXTENDED ORDERING INFORMATION, EXTENDED

Part Number	Description
SO-SFP-100Base-L200D-C27-E	SFP, 100/155Mbps FE, CWDM, SM, DDM, 46dB, 200km, 1270nm, ext. temp
SO-SFP-100Base-L200D-C29-E	SFP, 100/155Mbps FE, CWDM, SM, DDM, 46dB, 200km, 1290nm ext. temp
SO-SFP-100Base-L200D-C31-E	SFP, 100/155Mbps FE, CWDM, SM, DDM, 46dB, 200km, 1310nm ext. temp
SO-SFP-100Base-L200D-C33-E	SFP, 100/155Mbps FE, CWDM, SM, DDM, 46dB, 200km, 1330nm ext. temp
SO-SFP-100Base-L200D-C35-E	SFP, 100/155Mbps FE, CWDM, SM, DDM, 46dB, 200km, 1350nm ext. temp
SO-SFP-100Base-L200D-C37-E	SFP, 100/155Mbps FE, CWDM, SM, DDM, 46dB, 200km, 1370nm ext. temp
SO-SFP-100Base-L200D-C39-E	SFP, 100/155Mbps FE, CWDM, SM, DDM, 46dB, 200km, 1390nm ext. temp
SO-SFP-100Base-L200D-C41-E	SFP, 100/155Mbps FE, CWDM, SM, DDM, 46dB, 200km, 1410nm ext. temp
SO-SFP-100Base-L200D-C43-E	SFP, 100/155Mbps FE, CWDM, SM, DDM, 46dB, 200km, 1430nm ext. temp
SO-SFP-100Base-L200D-C45-E	SFP, 100/155Mbps FE, CWDM, SM, DDM, 46dB, 200km, 1450nm ext. temp
SO-SFP-100Base-L200D-C47-E	SFP, 100/155Mbps FE, CWDM, SM, DDM, 46dB, 200km, 1470nm ext. temp
SO-SFP-100Base-L200D-C49-E	SFP, 100/155Mbps FE, CWDM, SM, DDM, 46dB, 200km, 1490nm ext. temp
SO-SFP-100Base-L200D-C51-E	SFP, 100/155Mbps FE, CWDM, SM, DDM, 46dB, 200km, 1510nm ext. temp
SO-SFP-100Base-L200D-C53-E	SFP, 100/155Mbps FE, CWDM, SM, DDM, 46dB, 200km, 1530nm ext. temp
SO-SFP-100Base-L200D-C55-E	SFP, 100/155Mbps FE, CWDM, SM, DDM, 46dB, 200km, 1550nm ext. temp
SO-SFP-100Base-L200D-C57-E	SFP, 100/155Mbps FE, CWDM, SM, DDM, 46dB, 200km, 1570nm ext. temp
SO-SFP-100Base-L200D-C59-E	SFP, 100/155Mbps FE, CWDM, SM, DDM, 46dB, 200km, 1590nm ext. temp
SO-SFP-100Base-L200D-C61-E	SFP, 100/155Mbps FE, CWDM, SM, DDM, 46dB, 200km, 1610nm ext. temp

Subject to change without notice.

For more information, visit smaroptics.com.