

SO-SFP-100BASE-L160D-Cxx

SFP, 100/155Mbps, CWDM, SM, DDM, 36dB, 160 km

OVERVIEW

The SO-SFP-100Base-L160D-Cxx series single mode transceiver is a small form factor pluggable module for serial optical data communications such as SONET OC-3 / SDH STM-1 and Fast Ethernet. It is with the SFP 20-pin connector to allow hot plug capability. This module is designed for single mode fiber and operates at a nominal wavelength of CWDM. There are eighteen center wavelengths available from 1270nm to 1610nm, with each step 20nm. The transmitter section uses a multiple quantum well CWDM DFB laser and is a class 1 laser compliant according to International Safety Standard IEC-60825. The receiver section uses an integrated InGaAs avalanche photodiode preamplifier (IDP) mounted in an optical header and a limiting post-amplifier IC. The SO-SFP-100Base-L160D-Cxx series are designed to be compliant with SFF-8472.

PRODUCT FEATURES

- Operating data rate up to 155Mbps
- 18-Wavelength CWDM DFB LD transmitter from 1270nm to 1610nm, with step 20nm
- Single 3.3V power supply and TTL logic interface
- Hot-Pluggable SFP footprint duplex LC connector interface
- Compliant with Class 1 FDA and IEC60825-1 laser safety
- Operating case temperature
 - Standard 0°C to 70°C.
 - Industrial -20°C to +85°C.
- Compliant with SFP MSA
- Compliant with SFF-8472

APPLICATIONS

- SDH/SONET
- ATM switches and routers
- Fast Ethernet
- CWDM optical networking

ORDERING INFORMATION

Part Number	Description
SO-SFP-100Base-L160D-Cxx*	SFP, 100/155Mbps, CWDM, SM, DDM, 36dB, 160 km
SO-SFP-100Base-L160D-Cxx-I*	SFP, 100/155Mbps, CWDM, SM, DDM, 36dB, 160 km, ind. temp

*xx = Refers to notation for frequency data. Please see extended order information on last page for additional information.

ABSOLUTE MAXIMUM RATINGS

Parameter	Symbol	Min	Max	Unit
Storage Temperature	TS	-40	+85	°C
Supply Voltage	VCC	-0.5	3.6	V
Operating Relative Humidity			95	%

RECOMMENDED OPERATING CONDITIONS

Parameter	Symbol	Min	Typ	Max	Unit	
Operating Case Temperature	Tc	SO-SFP-100Base-L160D-Cxx	0		+70	°C
		SO-SFP-100Base-L160D-Cxx			+85	°C
		-I	-20			
Power Supply Voltage	Vcc	3.15	3.3	3.45	V	
Power Supply Current	Icc			300	mA	
Data Rate	OC-3/STM-1		155		Mbps	
	100M		100			

PERFORMANCE SPECIFICATIONS – ELECTRICAL TRANSMITTER

Parameter	Symbol	Min	Typ	Max	Unit	Notes
LVPECL Inputs(Differential)	V_{IN}	400		2000	mVpp	AC coupled inputs
Input Impedance (Differential)	Z_{IN}	85	100	115	ohms	Rin > 100 kohms @ DC
TX Disable	Disable	2		Vcc	V	
	Enable	0		0.8		
TX FAULT	Fault	2		Vcc+0.3	V	
	Normal	0		0.8		

PERFORMANCE SPECIFICATIONS – ELECTRICAL RECEIVER

Parameter	Symbol	Min	Typ	Max	Unit	Notes
LVPECL Outputs (Differential)	V_{out}	370		2000	mVpp	AC coupled outputs
Output Impedance (Differential)	Z_{out}	85	100	115	ohms	
Rx_LOS Output Voltage – High		2		Vcc+0.3	V	
Rx_LOS Output Voltage – Low		0		0.8	V	
MOD_DEF (2:0)	V_{oH}	2.5			V	With Serial ID
	V_{oL}	0		0.8	V	

PERFORMANCE SPECIFICATIONS – OPTICAL

Parameter	Symbol	Min	Typ	Max	Unit
Data Rate			100/155		Mbps

Subject to change without notice.

For more information, visit smaroptics.com.

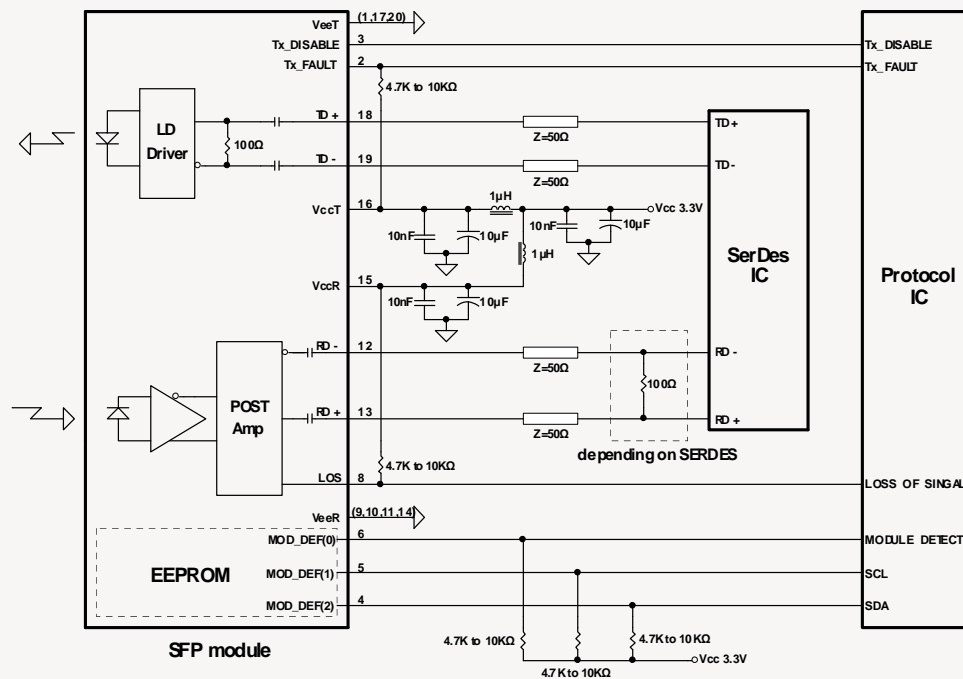
PERFORMANCE SPECIFICATIONS – OPTICAL TRANSMITTER

Parameter	Symbol	Min	Typ	Max	Unit
Centre Wavelength	λ_c	$\lambda_c-5.5$	λ_c	$\lambda_c+7.5$	nm
Spectral Width (RMS)	$\Delta\lambda$			1	nm
Average Output Power	P_{out}	2		7	dBm
Extinction Ratio	ER	10			dB
Side Mode Suppression Ratio	SMSR	30			dB
Rise/Fall Time(20%~80%)	tr/tf			2	ns
Output Optical Eye		IUT-T G.957 Compliant			
TX Disable Assert Time	t_{off}			10	us

PERFORMANCE SPECIFICATIONS – OPTICAL RECEIVER

Parameter	Symbol	Min	Typ	Max	Unit
Centre Wavelength	λ	1100		1650	nm
Receiver Sensitivity	P_{rin}			-35	dBm
Receiver Overload	P_{max}	-8			dBm
Return Loss		14			dB
Optical Path Penalty				1	dB
LOS De-Assert	LOSD			-36	dBm
LOS Assert	LOSA	-45			dBm
LOS Hysteresis		0.5			dB

FUNCTIONAL DIAGRAM OF TRANSCEIVER



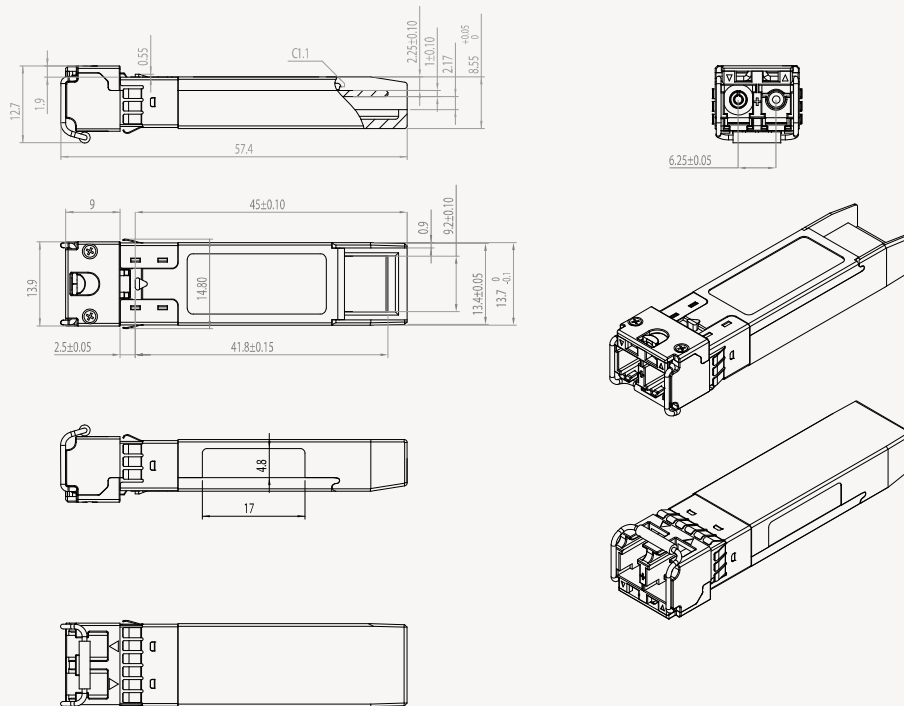
Subject to change without notice.

For more information, visit smartoptics.com.

PIN ASSIGNMENT ACCORDING TO MSA

PIN	Signal Name	Description	PIN	Signal Name	Description
1	V _{EE} T	Transmitter Signal Ground	11	V _{EE} R	Receiver Signal Ground
2	TX_Fault	Transmitter Fault Indication. Logic "1" Output = Laser Fault. Logic "0" Output = Normal Operation	12	RD-	Inverse Receiver Data Out
3	TX_Disable	Logic "1" Input (or no connection) = Laser off, Logic "0" = Laser on.	13	RD+	Receiver Data Out
4	SDA	Modulation Definition 2 – Two wires serial ID Interface	14	V _{EE} R	Receiver Signal Ground
5	SDL	Modulation Definition 1 – Two wires serial ID Interface	15	V _{CC} R	Receiver Power – 3.3V±5%
6	MOD-ABS	Modulation Definition 0 – Ground in Module	16	V _{CC} T	Transmitter Power – 3.3V±5%
7	RS0	RX Rate Select (LVTTL). This pin has an internal 30k pull-down to ground. A signal on this pin will not affect module performance.	17	V _{EE} T	Transmitter Signal Ground
8	RX_LOS	Loss of Signal Out (OC).	18	TD+	Transmitter Data In
9	RS1	TX Rate Select (LVTTL). This pin has an internal 30k pull-down to ground. A signal on this pin will not affect module performance.	19	TD-	Inverse Transmitter Data In
10	V _{EE} R	Receiver Signal Ground	20	V _{EE} T	Transmitter Signal Ground

MECHANICAL DIMENSIONS



Subject to change without notice.

For more information, visit smaroptics.com.

EXTENDED ORDERING INFORMATION, STANDARD

Part Number	Description
SO-SFP-100Base-L160D-C47	SFP, 100/155Mbps FE, CWDM, SM, DDM, 37dB, 160km, 1470nm
SO-SFP-100Base-L160D-C49	SFP, 100/155Mbps FE, CWDM, SM, DDM, 37dB, 160km, 1490nm
SO-SFP-100Base-L160D-C51	SFP, 100/155Mbps FE, CWDM, SM, DDM, 37dB, 160km, 1510nm
SO-SFP-100Base-L160D-C53	SFP, 100/155Mbps FE, CWDM, SM, DDM, 37dB, 160km, 1530nm
SO-SFP-100Base-L160D-C55	SFP, 100/155Mbps FE, CWDM, SM, DDM, 37dB, 160km, 1550nm
SO-SFP-100Base-L160D-C57	SFP, 100/155Mbps FE, CWDM, SM, DDM, 37dB, 160km, 1570nm
SO-SFP-100Base-L160D-C59	SFP, 100/155Mbps FE, CWDM, SM, DDM, 37dB, 160km, 1590nm
SO-SFP-100Base-L160D-C61	SFP, 100/155Mbps FE, CWDM, SM, DDM, 37dB, 160km, 1610nm

EXTENDED ORDERING INFORMATION, INDUSTRIAL

Part Number	Description
SO-SFP-100Base-L160D-C47-I	SFP, 100/155Mbps FE, CWDM, SM, DDM, 37dB, 160km, 1470nm, ind. Temp.
SO-SFP-100Base-L160D-C49-I	SFP, 100/155Mbps FE, CWDM, SM, DDM, 37dB, 160km, 1490nm ind. Temp.
SO-SFP-100Base-L160D-C51-I	SFP, 100/155Mbps FE, CWDM, SM, DDM, 37dB, 160km, 1510nm ind. Temp.
SO-SFP-100Base-L160D-C53-I	SFP, 100/155Mbps FE, CWDM, SM, DDM, 37dB, 160km, 1530nm ind. Temp.
SO-SFP-100Base-L160D-C55-I	SFP, 100/155Mbps FE, CWDM, SM, DDM, 37dB, 160km, 1550nm ind. Temp.
SO-SFP-100Base-L160D-C57-I	SFP, 100/155Mbps FE, CWDM, SM, DDM, 37dB, 160km, 1570nm ind. Temp.
SO-SFP-100Base-L160D-C59-I	SFP, 100/155Mbps FE, CWDM, SM, DDM, 37dB, 160km, 1590nm ind. Temp.
SO-SFP-100Base-L160D-C61-I	SFP, 100/155Mbps FE, CWDM, SM, DDM, 37dB, 160km, 1610nm ind. Temp.