

# T-3001 / T-CAB WDM BANDSPLITTERS

## 1310/1550nm WDM MULTIPLEXERS



Photo: T-3009 & 3016

## PRODUCT FEATURES

- Low insertion loss
- Available as 1U 19" rack design or ruggedized cable version
- Passive, no electric power required. (MTBF ca. 500 years)


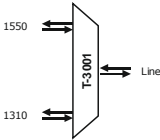

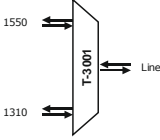
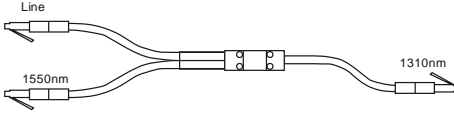
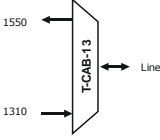
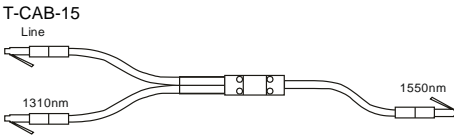
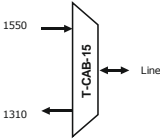
## OVERVIEW

Smartoptics WDM band splitters combine and split the 1310/1550nm region of the fiber spectrum. The units are used in low cost WDM solutions offering an entry level towards WDM networking duplicating the wavelength capacity. The units also can be used to combine already multiplexed CWDM line, e.g. from the T-3008 and T-3016 units, resulting in an economic way to upgrade already existing CWDM infrastructure.

## ORDERING INFORMATION

Part Number	Description
1U 19" rack design versions	
T-3001	2 ch. Wideband WDM, Mux/Demux, 1310/1550, IL Link=1.5dB, LC
T-3001-FB	2 ch. Wideband WDM, Mux/Demux, 1310/1550, 1260-1458nm & 1464-1618nm, IL Link=1.5dB, LC
<b>Note:</b>	
All modules are ½ size mounting units and require 19" mounting bracket sold separately	

## GENERAL SPECIFICATIONS

Front View	Function	Specification
<b>1U 19" rack design versions</b>		
<p><b>T-3001</b></p> 		<p>Wideband WDM Mux/Demux 1310 band / 1550 CWDM band</p> <p>IL Link: &lt;1.5 dB Passband @ 1550: 1460 nm - 1630 nm Passband @ 1310: 1270 nm - 1350 nm</p>
<p><b>T-3001-FB</b></p> 		<p>Wideband WDM Mux/Demux 1310 band / 1550 CWDM band</p> <p>IL Link: &lt;1.5 dB Passband @ 1550: 1463 nm - 1630 nm Passband @ 1310: 1270 nm - 1458 nm</p>
<b>Ruggedized cable versions</b>		
<p><b>T-CAB-13</b></p> 		<p>Wideband WDM Cable 1310 band / 1550 CWDM</p> <p>IL Link: &lt;0.8 dB Passband @ 1550: 1460 nm - 1630 nm Passband @ 1310: 1270 nm - 1350 nm</p>
<p><b>T-CAB-15</b></p> 		<p>Wideband WDM Cable 1310 band / 1550 CWDM</p> <p>IL Link: &lt;0.8 dB Passband @ 1550: 1460 nm - 1630 nm Passband @ 1310: 1270 nm - 1350 nm</p>