

DS-16G-ER

SFP+, 16/8/4 Gbps FC/FICON, 1550nm, SM, DDM, 13dB, 40km

DS-16G-ER OVERVIEW

The DS-16G-ER fiber optical SFP+ (small form pluggable) transceivers include a PIN diode and temperature stabilized DFB-EML transmitter. The modules operate at data-rates up to 14.025 Gbps. The module has a duplex LC optical interface and all mechanical characteristics are compliant with the current SFP+ specification (SFF-8431 and SFF-8432). All SFP modules fulfill the content of the serial EEPROM described in the SFP MSA, Appendix B4, table 3.1, at base data fields (defined as addresses 0 to 63) and extended data fields (defined as addresses 64 to 95). The nominal transmitter output wavelength is stated at the reserved addresses 60-61 according to SFF document SFF-8472 rev 10.5, "Digital Diagnostics Monitoring Interface". Wavelengths stated in the specification are measured in vacuum. All requirements in this specification are valid throughout the specified lifetime and operational environmental temperature range unless otherwise stated. The transceiver modules are compliant to RoHS-6/6

PRODUCT FEATURES

- Up to 14.025 Gbps data-rates
- Up to 40km on 9/125um SMF (G.652)
- TX and Rx clock data recovery (CDR) IC
- Enhanced EWRAP, OWRAP operational features
- Duplex LC connector
- Compliant with SFP+ MSA
- Hot-pluggable SFP footprint
- Single power supply 3.3V
- RoHS6 Compliant
- Class 1 laser product complies with EN 60825-1
- Operating temperature range: 0°C to 70°C.
- Power consumption <2.25W

APPLICATIONS

- 16/8/4 Gbps Fibre Channel / FICON
- SAN, WAN connectivity

ORDERING INFORMATION

Part Number	Description
DS-16G-ER	SFP+, 16/8/4 Gbps FC/FICON, 1550nm, SM, DDM, 13dB, 40km

GENERAL SPECIFICATIONS

Parameter	Symbol	Min	Typ	Max	Unit	Notes
Data Rate	DR	4.25		14.025	Gbps	
Bit Error Rate	BER			10^{-12}		
Operating Temperature	T_{OP}	0		70	°C	Case temperature
Storage Temperature	T_{STO}	-40		85	°C	Ambient temperature
Supply Current	I_S		450	650	mA	For electrical power interface
Rush-in current	I_{Rush}			650	mA	
Input Voltage	V_{CC}	3.13	3.3	3.45	V	
Maximum Voltage	V_{MAX}	-0.5		3.6	V	For electrical power interface
Total Power Dissipation			1.9	2.25	W/1	

OPTICAL CHARACTERISTICS – TRANSMITTER

End of Life, overall operating conditions

Parameter	Symbol	Min	Typ	Max	Unit	Notes
Output Optical Power	P_{TX}	0		+4	dBm	Average, coupled into 9/125um SMF
Extinction ratio	Er	8.2			dB	
Optical Wavelength	λ_c		1550nm ± 10nm		nm	
Spectral Width (-20dB)	$\Delta\lambda$			1	nm	
Side Mode Suppression Ratio	$SMSR$	30			dB	
Transmitter and Dispersion Penalty				2	dB	800ps/nm, 14.025Gb/s
Relative Intensity noise	RIN			-130	dB/Hz	Peak-to-Peak
Launch Power OFF	P_{off}			-30	dBm	Average

OPTICAL CHARACTERISTICS – RECEIVER

End of Life, overall operating conditions

Parameter	Symbol	Min	Typ	Max	Unit	Notes
Optical Receiver Power	P_{RX}			-2	dBm	Average
Optical Center Wavelength	λ_c	1480		1580	nm	
Receiver Sensitivity @ 14.25GBps	RX_SENS1			-13	dBm	BER< 10^{-12} , PRBS $2^{31}-1$
Receiver Sensitivity @ 8.5GBps	RX_SENS2			-14	dBm	BER< 10^{-12} , PRBS 2^7-1
Receiver Sensitivity @ 4.25GBps	RX_SENS3			-14	dBm	BER< 10^{-12} , PRBS 2^7-1
Loss of Signal-Asserted	$PLOS_A$			-24	dBm	
Loss of Signal-Deasserted	$PLOS_D$	-14			dBm	
Loss of Signal-Hysteresis	$PLOS_H$	1		4	dB	

ELECTRICAL CHARACTERISTICS – HIGH-SPEED SIGNAL INTERFACE (CML)

End of Life, overall operating conditions

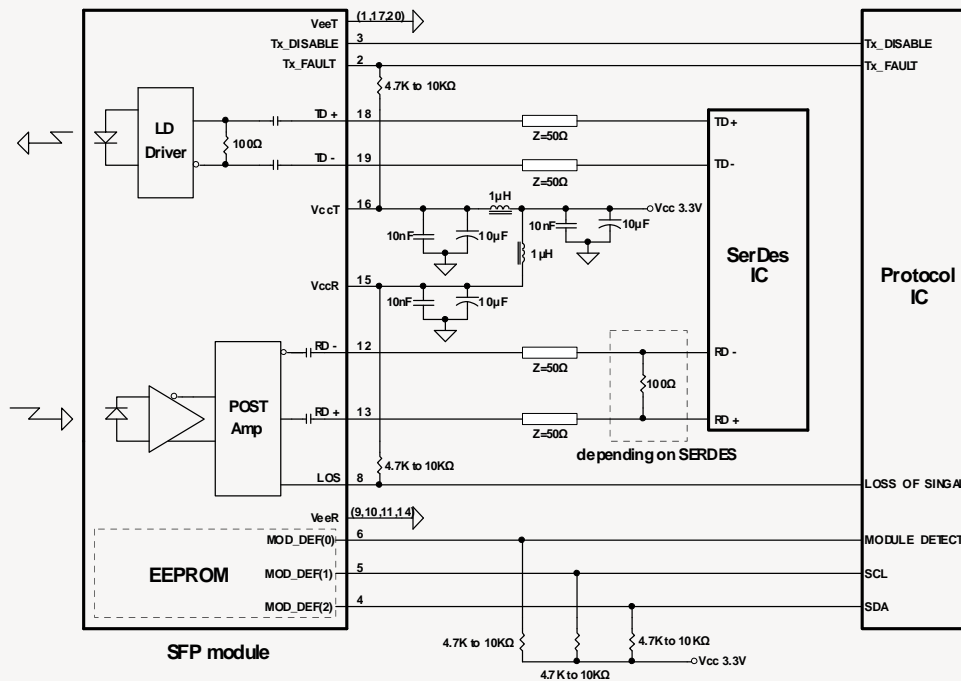
Parameter	Symbol	Min	Typ	Max	Unit	Notes
Input Data Rate		4.25	14.025		Gb/s	
TX Clock Tolerance				±100	ppm	
Differential Input Impedance	R_{IN}		100		Ω	
Differential data input amplitude		170		700	mVpp	Internally AC coupled
Output Data Rate		4.25	14.025		Gb/s	
RX Clock Tolerance				±100	ppm	
Differential Output Impedance	R_{OUT}		100		Ω	
Differential data output amplitude		300	600	850	mVpp	Internally AC coupled

ELECTRICAL CHARACTERISTICS – LOW-SPEED SIGNAL INTERFACE (LVTTTL)

End of Life, overall operating conditions

Parameter	Symbol	Min	Typ	Max	Unit	Notes
Input High Voltage		2.0		$V_{CC}+0.3$	V	TX-DIS, TX-FAULT
Input Low Voltage		GND		0.8	V	
Output High Voltage		2.4		V_{CC}	V	RX-LOS
Output Low Voltage		GND		0.5	V	

RECOMMENDED CIRCUIT SCHEMATIC



PIN FUNCTION DEFINITIONS

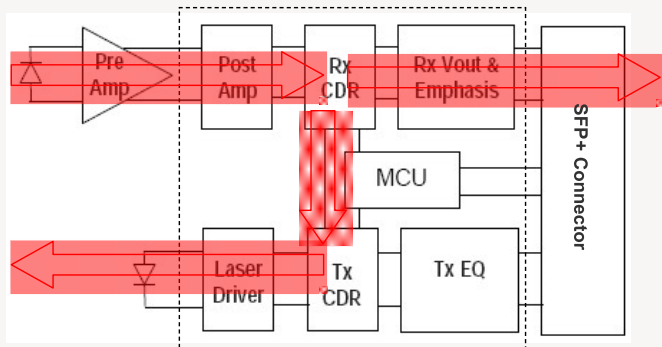
PIN	Signal Name	Description	PIN	Signal Name	Description
1	V _{EE} T	Transmitter Signal Ground	11	V _{EE} R	Receiver Signal Ground
2	TX_Fault	Transmitter Fault Indication. Logic "1" Output = Laser Fault. Logic "0" Output = Normal Operation	12	RD-	Inverse Receiver Data Out
3	TX_Disable	Logic "1" Input (or no connection) = Laser off, Logic "0" = Laser on.	13	RD+	Receiver Data Out
4	SDA	Modulation Definition 2 – Two wires serial ID Interface	14	V _{EE} R	Receiver Signal Ground
5	SDL	Modulation Definition 1 – Two wires serial ID Interface	15	V _{CC} R	Receiver Power – 3.3V±5%
6	MOD-ABS	Modulation Definition 0 – Ground in Module	16	V _{CC} T	Transmitter Power – 3.3V±5%
7	RS0	RX Rate Select (LVTTL). This pin has an internal 30k pulldown to ground. A signal on this pin will not affect module performance.	17	V _{EE} T	Transmitter Signal Ground
8	RX_LOS	Loss of Signal Out (OC).	18	TD+	Transmitter Data In
9	RS1	TX Rate Select (LVTTL). This pin has an internal 30k pulldown to ground. A signal on this pin will not affect module performance.	19	TD-	Inverse Transmitter Data In
10	V _{EE} R	Receiver Signal Ground	20	V _{EE} T	Transmitter Signal Ground

WRAP OPERATION FUNCTIONS – SOFT CONTROL (ADDRESS A2H, BYTE 111)

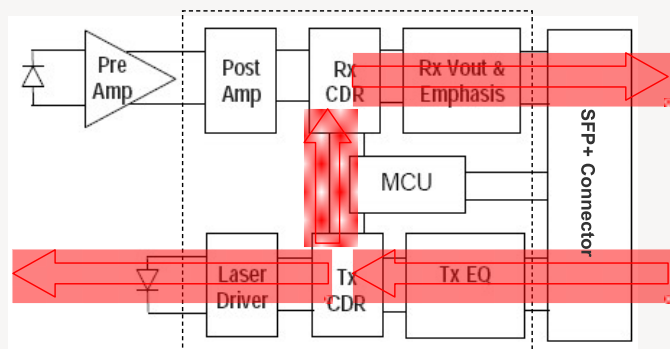
To assist with local host or remote diagnostic and optimization sequences, electrical and optical wrap functions can be enabled. Optical wrap (OWRAP) takes the received optical signal through CDRs and retransmits it optically out. Electrical wrap (EWRAP) takes the received electrical signal through CDRs and retransmits it electrically out. Optional forward functions can be transmitted outbound the wrapped information via i2c control.

Byte	Bit	Name	Description
	4-7	Reserved	Reserved
	3	OWRAP Forward Enable Bit	When set in combination with OWRAP Enable, OWRAP Forward routes incoming SFP+ Rx optical data to both the Tx optical output and the Rx electrical output. Enabling sets bit 2 and clears all other bits in byte 111.
111	2	OWRAP Enable Bit	When set, OWRAP routes incoming SFP+ Rx optical data to the Tx optical output. Enabling clears all other bits in byte 111.
	1	EWRAP Forward Enable Bit	When set in combination with EWRAP Enable, EWRAP Forward routes incoming SFP+ Tx electrical data to both Rx electrical output and Tx optical output. Enabling sets bit 0 and clears all other bits in byte 111.
	0	EWRAP Enable Bit	When set, EWRAP Enable routes incoming SFP+ Tx electrical data to the Rx electrical output. Enabling clears all other bits in byte 111.

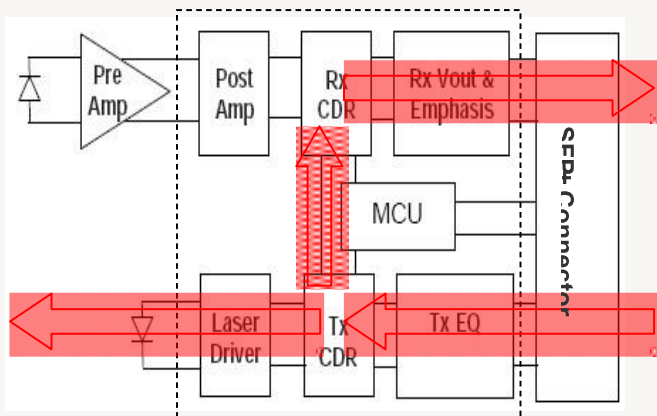
OWRAP FORWARD ENABLE MODE (I2C CONTROLLED)



OWRAP ENABLE MODE (I2C CONTROLLED)

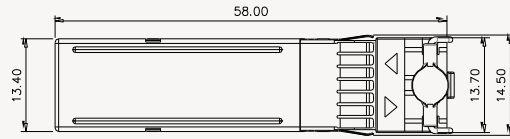


EWRAP FORWARD ENABLE MODE (I2C CONTROLLED)

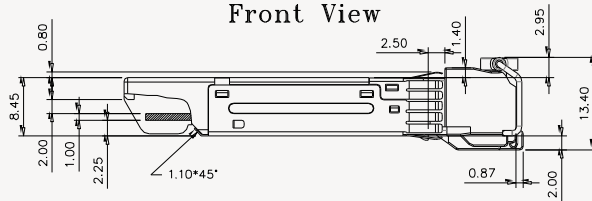


MECHANICAL DRAWING

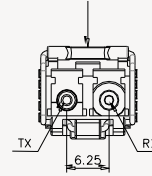
Top View



Front View



LATCH COLOR
White



Side View

Bottom View

