

# SO-SFP-10GE-ACUxM

SFP+, DAC, AWG30, 1m to 15m, active

## OVERVIEW

The SO-SFP-10GE-ACUxM direct copper cables (DAC or Twinax) are suitable for very short distances and offer a highly cost-effective way to connect within racks and across adjacent racks. SFP+ Cables is a low cost SFP+ solution. SFP+ directly attached Twinax cable assemblies support 10 Gigabit Ethernet, 10 Fibre Channel, and other industry standards. SFP+ Active copper cables use class Clock and Data Recovery (CDR) technology to support longer distances than standard passive SFP+ Direct Attached Cables. They are compliant with SFF-8431, SFF-8432 and SFF-8472 specifications. Smartoptics offers 10G SFP+ Passive Cables in lengths of 1 to 15 meters.

## PRODUCT FEATURES

- Compliant with 10GBASE-CR standard
- SFP+ MSA compliant
- SFP+ to SFP+
- 1m to 15m meters
- AWG24/28/30

## APPLICATIONS

- 1-8G fiber channel and 1-10G Gigabit Ethernet
- Networking, storage, telecommunications
- Hub, switches, routers, servers, network interface cards (NICs)

## ORDERING INFORMATION

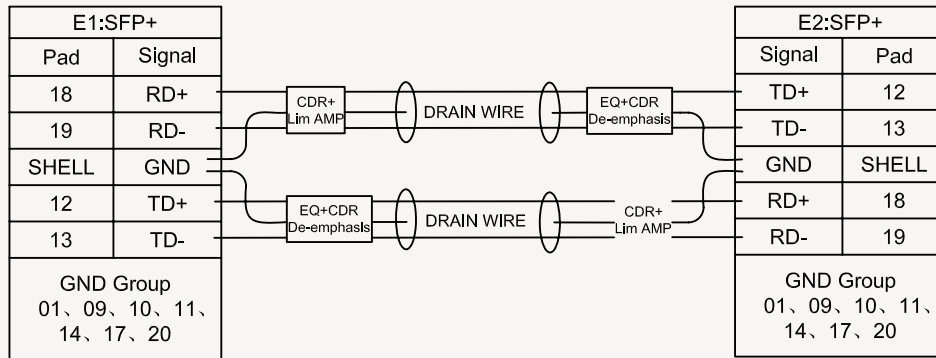
Part Number	Description
SO-SFP-10GE-ACU1M	SFP+, DAC, AWG30, 1m, active
SO-SFP-10GE-ACU2M	SFP+, DAC, AWG30, 2m, active
SO-SFP-10GE-ACU3M	SFP+, DAC, AWG30, 3m, active
SO-SFP-10GE-ACU4M	SFP+, DAC, AWG30, 4m, active
SO-SFP-10GE-ACU5M	SFP+, DAC, AWG28, 5m, active
SO-SFP-10GE-ACU6M	SFP+, DAC, AWG28, 6m, active
SO-SFP-10GE-ACU7M	SFP+, DAC, AWG28, 7m, active
SO-SFP-10GE-ACU10M	SFP+, DAC, AWG24, 10m, active
SO-SFP-10GE-ACU12M	SFP+, DAC, AWG24, 12m, active
SO-SFP-10GE-ACU15M	SFP+, DAC, AWG24, 15m, active

Subject to change without notice.

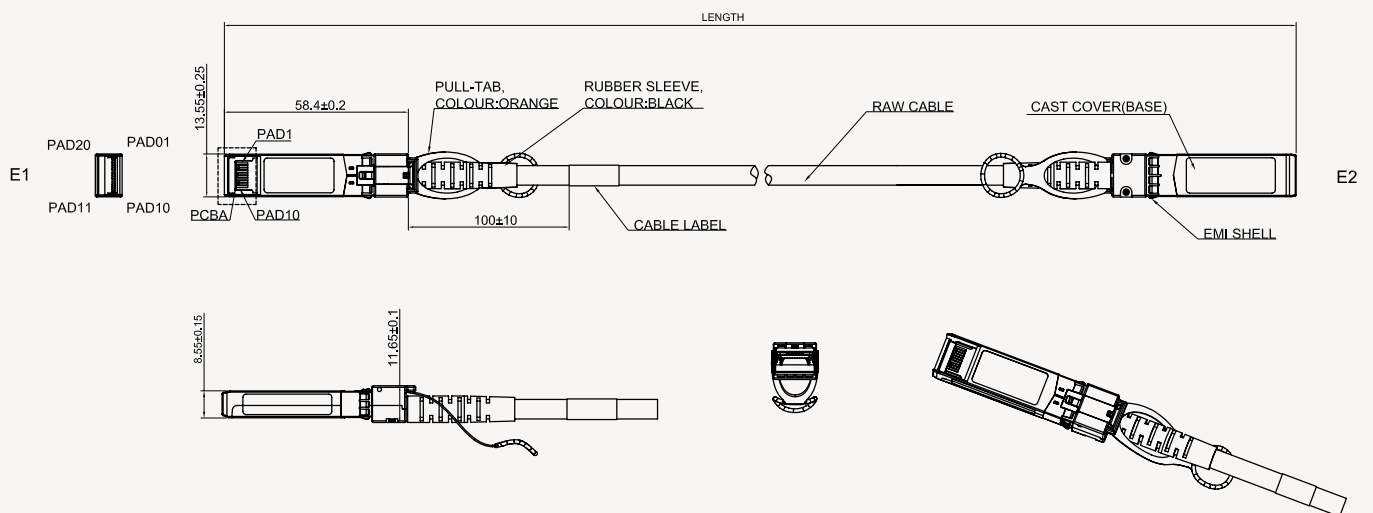
For more information, visit [smartoptics.com](http://smartoptics.com).

smartoptics

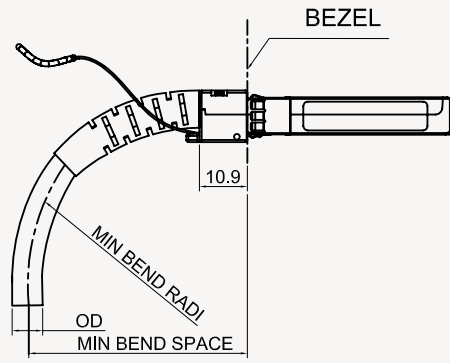
## CABLE CONNECTION



## MECHANICAL DRAWING



MINIMUM BEND RADIUS



BEND RADII			
CABLE(AWG)	OD(mm)	MIN BEND RADII(mm)	MIN BEND SPACE
24	6.30	33.00	43.90
28	4.70	23.50	34.40
30	4.20	21.00	31.90