

# SO-QSFP28-LR4

QSFP28, 100GBase, 1310nm, SM, DDM, 10km, LC

## OVERVIEW

The SO-QSFP28-LR4 is a 103/112 Gbps transceiver module designed for optical communication applications compliant to 100GBASE-LR4 of the IEEE P802.3ba standard and OUT-4. The module converts 4 input channels of 25/28 Gbps electrical data to 4 channels of LAN WDM optical signals and then multiplexes them into a single channel for 103/112 Gbps optical transmission. Reversely on the receiver side, the module de-multiplexes a 103/112 Gbps optical input into 4 channels of LAN WDM optical signals and then converts them to 4 output channels of electrical data. The central wavelengths of the 4 LAN WDM channels are 1295.56, 1300.05, 1304.58 and 1309.14 nm as members of the LAN WDM wavelength grid defined in IEEE 802.3ba. The high performance cooled LAN WDM EA-DFB transmitters and high sensitivity PIN receivers provide superior performance for 100G applications up to 10km links and compliant to optical interface with IEEE802.3ba Clause 88 100GBASE-LR4 and OUT-411-9D1F requirements. The product is designed with form factor, optical/electrical connection and digital diagnostic interface according to the QSFP+ Multi-Source Agreement (MSA).

## PRODUCT FEATURES

- Hot pluggable QSFP28 MSA form factor
- Supports 103 Gbps and 112 Gbps
- Up to 10km reach for G.652 SMF
- Single +3.3V power supply
- Operating case temperature: 0~70°C  
Transmitter: cooled 4x25 Gbps LAN WDM EML TOSA (1295.56, 1300.05, 1304.58, 1309.14nm)
- Receiver: 4x25/28 Gbps PIN ROSA
- 4x28G Electrical Serial Interface (CEI-28GVSR)
- Maximum power consumption 4.5W
- RoHS-6 compliant (lead-free)
- Duplex LC receptacle
- I<sup>2</sup>C interface with integrated Digital Diagnostic Monitoring

## APPLICATIONS

- 100GBASE-LR4 Ethernet links
- Infiniband QDR and DDR interconnects
- Client-side 100G telecom connections
- OTU4 411-9D1F

## ORDERING INFORMATION

Part Number	Description
SO-QSFP28-LR4	QSFP28, 100GBase, 1310nm, SM, DDM, 10km, LC

Subject to change without notice.

For more information, visit [smaroptics.com](http://smaroptics.com).

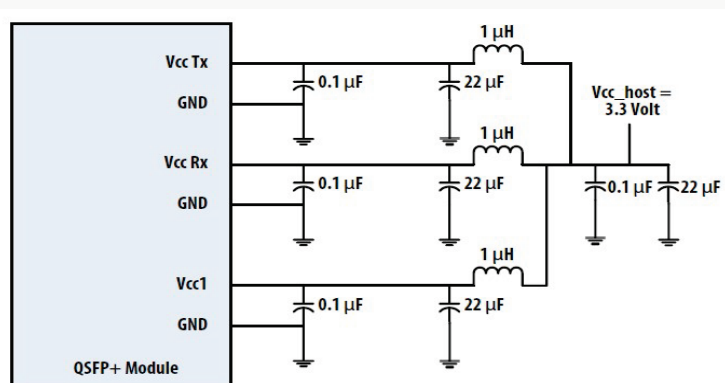
### ABSOLUTE MAXIMUM RATINGS

Parameter	Symbol	Min	Max	Unit
Storage Temperature	$T_s$	-40	+85	degC
Operating Case Temperature	TOP	0	70	degC
Power Supply Voltage	$V_{cc}$	-0.5	3.6	V
Relative Humidity (non-condensation)	RH	5	85	%

### RECOMMENDED OPERATING CONDITIONS

Parameter	Symbol	Min	Typ	Max	Unit
Operating Case Temperature	TOP	0		70	degC
Power Supply Voltage	$V_{cc}$	3.135	3.3	3.465	V
Data Rate, each Lane			25.78125 / 27.95		Gb/s
Control Input Voltage High)		2		$V_{cc}$	V
Control Input Voltage Low		0		0.8	V
Link Distance with G.652	D			10	km

### RECOMMENDED POWER SUPPLY FILTER



### ELECTRICAL CHARACTERISTICS

Parameter	Symbol	Min	Typ	Max	Unit
Power Consumption		-		4.5	W
Supply Current	$I_{cc}$			1.21	A

### ELECTRICAL CHARACTERISTICS – TRANSMITTER (EACH LANE)

Parameter	Symbol	Min	Typ	Max	Unit
Differential Input Voltage Swing	$V_{in,pp}$	150		1200	mVpp
Differential Input Impedance	$Z_{in}$	85	100	115	$\Omega$

Subject to change without notice.

For more information, visit [smaroptics.com](http://smaroptics.com).

## ELECTRICAL CHARACTERISTICS – RECEIVER

Parameter	Symbol	Min	Typ	Max	Unit
Differential Output Voltage Swing	$V_{out.pp}$	200		1100	mVpp
Differential Output Impedance	$Z_{out}$	85	100	115	ohm

## OPTICAL CHARACTERISTICS

Parameter	Symbol	Min	Typ	Max	Unit
Lane Wavelength	$L0$	1294.53	1295.56	1296.59	nm
	$L1$	1299.02	1300.05	1301.09	nm
	$L2$	1303.54	1304.58	1305.63	nm
	$L3$	1308.09	1309.14	1310.19	nm

## OPTICAL CHARACTERISTICS – TRANSMITTER – 100GBASE-LR4 OPERATION

Parameter	Symbol	Min	Typ	Max	Unit	Notes
Signaling Speed per Lane	$BR$		25.78		Gbps	
Side-mode Suppression Ratio	$SMSR$	30			dB	
Total Average Launch Power	$P_T$			10.5	dBm	
Average Launch Power (each Lane)	$P_{AVG}$	-4.3		4.5	dBm	
Optical Modulation Amplitude (each Lane)	$POMA$	-1.3		4.5	dBm	1
Extinction Ratio	$ER$	4			dB	
Optical Return Loss Tolerance	$TOL$			20	dB	
Eye Mask {X1, X2, X3, Y1, Y2, Y3}			IEEE 802.3 Clause 88 100GBase-LR4			
Average Launch Power OFF (each Lane)	$P_{off}$			-30	dBm	

Note: Transmitter optical characteristics are measured with a single mode fiber.

## OPTICAL CHARACTERISTICS – RECEIVER – 100GBASE-LR4 OPERATION

Parameter	Symbol	Min	Typ	Max	Unit	Notes
Signaling Speed per Lane	$BR$		25.78		Gbps	
Total Average Receive Power				10.5	dBm	
Average Power at Receiver, each Lane		-10.6		4.5	dBm	
Receive Power (OMA) (each Lane)				4.5	dBm	
Receiver Sensitivity (OMA), each Lane	$SEN$			-8.6	dBm	
LOS Assert	$LOSA$		-26		dBm	
LOS Deassert	$LOSD$		-11.6		dBm	
LOS Hysteresis	$LOSH$	0.5			dB	

## OPTICAL CHARACTERISTICS – TRANSMITTER – OTU4 OPERATION

Parameter	Symbol	Min	Typ	Max	Unit	Notes	
Signaling Speed per Lane	<i>BR</i>		27.95		Gbps		
Side-mode Suppression Ratio	<i>SMSR</i>	30			dB		
Total Average Launch Power	<i>P<sub>T</sub></i>			10.5	dBm		
Average Launch Power (each Lane)	<i>P<sub>AVG</sub></i>	-2.5		2.9	dBm		
Difference in Launch Power between any two Lanes (OMA)	<i>P<sub>tx,diff</sub></i>			5	dB		
Extinction Ratio	<i>ER</i>	7			dB		
Optical Return Loss Tolerance	<i>TOL</i>			20	dB		
Transmitter Reflectance	<i>R<sub>T</sub></i>			-12	dB		
Eye Mask {X1, X2, X3, Y1, Y2, Y3}		G.959.1 Compliant					2
Average Launch Power OFF (each Lane)	<i>P<sub>off</sub></i>			-30	dBm		

Note: Transmitter optical characteristics are measured with a single mode fiber.

## OPTICAL CHARACTERISTICS – RECEIVER – OTU4 OPERATION

Parameter	Symbol	Min	Typ	Max	Unit	Notes
Signaling Speed per Lane	<i>BR</i>		27.95		Gbps	
Damage Threshold (each Lane)	<i>THd</i>	4.5			dBm	3
Total Average Receive Power				10.5	dBm	
Average Power at Receiver, each Lane		-8.6		2.9	dBm	
Stressed Receiver Sensitivity, each Lane				-8.6	dBm	4
Difference in Receive Power between any two Lanes	<i>P<sub>rx,diff</sub></i>			5.5	dB	
LOS Assert	<i>LOSA</i>		-25		dBm	
LOS Deassert	<i>LOSD</i>		-11.6		dBm	
LOS Hysteresis	<i>LOSH</i>	0.5			dB	
Optical Return Loss	<i>ORL</i>			-26	dB	

## DIGITAL DIAGNOSTIC FUNCTIONS

The following digital diagnostic characteristics are defined over the normal operating conditions unless otherwise specified.

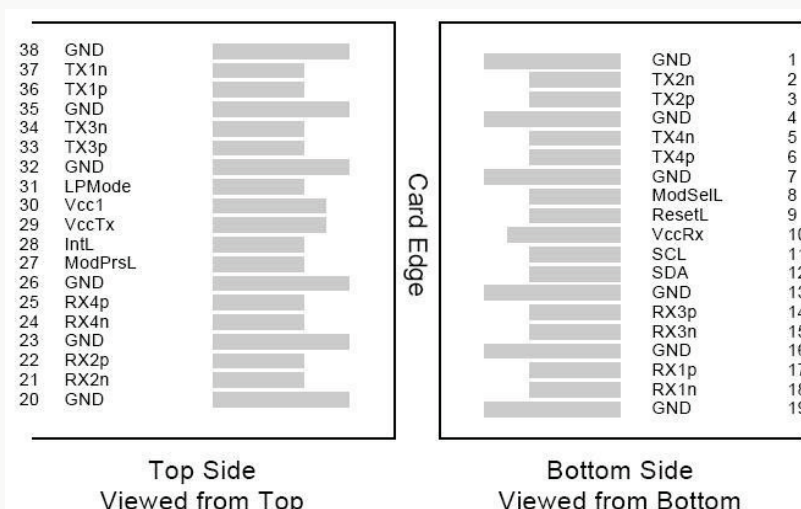
Parameter	Symbol	Min	Typ	Max	Unit	Notes
Temperature monitor absolute error	<i>DMI<sub>TEMP</sub></i>	-3		3	deg. C	Over operating temperature range
Supply voltage monitor absolute error	<i>DMI<sub>VCC</sub></i>	-0.1		0.1	V	Over Full operating range
Channel RX power monitor absolute error	<i>DMI<sub>RX_CH</sub></i>	-2		2	dB	1
Channel Bias current monitor	<i>DMI<sub>bias_CH</sub></i>	-10%		10%	mA	
Channel TX power monitor absolute error	<i>DMI<sub>TX_CH</sub></i>	-2		2	dB	1

Subject to change without notice.

For more information, visit [smaroptics.com](http://smaroptics.com).

## PIN ASSIGNMENT AND FUNCTION DEFINITIONS

### PIN ASSIGNMENT



### PIN DEFINITION

PIN	Signal Name	Description	PIN	Signal Name	Description
1	GND	Ground (1)	20	GND	Ground (1)
2	Tx2n	CML-I Transmitter 2 Inverted Data Input	21	Rx2n	CML-O Receiver 2 Inverted Data Output
3	Tx2p	CML-I Transmitter 2 Non-Inverted Data Input	22	Rx2p	CML-O Receiver 2 Non-Inverted Data Output
4	GND	Ground (1)	23	GND	Ground (1)
5	Tx4n	CML-I Transmitter 4 Inverted Data Input	24	Rx4n	CML-O Receiver 4 Inverted Data Output
6	Tx4p	CML-I Transmitter 4 Non-Inverted Data Input	25	Rx4p	CML-O Receiver 4 Non-Inverted Data Output
7	GND	Ground (1)	26	GND	Ground (1)
8	ModSelL	LVTTLL-I Module Select	27	ModPrsL	Module Present
9	ResetL	LVTTLL-I Module Reset	28	IntL	Interrupt
10	VccRx	+3.3V Power Supply Receiver (2)	29	VccTx	+3.3V Power Supply Transmitter (2)
11	SCL	LVCMOS-I/O 2-Wire Serial Interface Clock	30	Vcc1	+3.3V Power Supply
12	SDA	LVCMOS-I/O 2-Wire Serial Interface Data	31	LPMODE	LVTTLL-I Low Power Mode
13	GND	Ground (1)	32	GND	Ground (1)
14	Rx3p	CML-O Receiver 3 Non-Inverted Data Output	33	Tx3p	CML-I Transmitter 3 Non-Inverted Data Input
15	Rx3n	CML-O Receiver 3 Inverted Data Output	34	Tx3n	CML-I Transmitter 3 Inverted Data Input
16	GND	Ground (1)	35	GND	Ground (1)
17	Rx1p	CML-O Receiver 1 Non-Inverted Data Output	36	Tx1p	CML-I Transmitter 1 Non-Inverted Data Input
18	Rx1n	CML-O Receiver 1 Inverted Data Output	37	Tx1n	CML-I Transmitter 1 Inverted Data Input
19	GND	Ground (1)	38	GND	Ground (1)

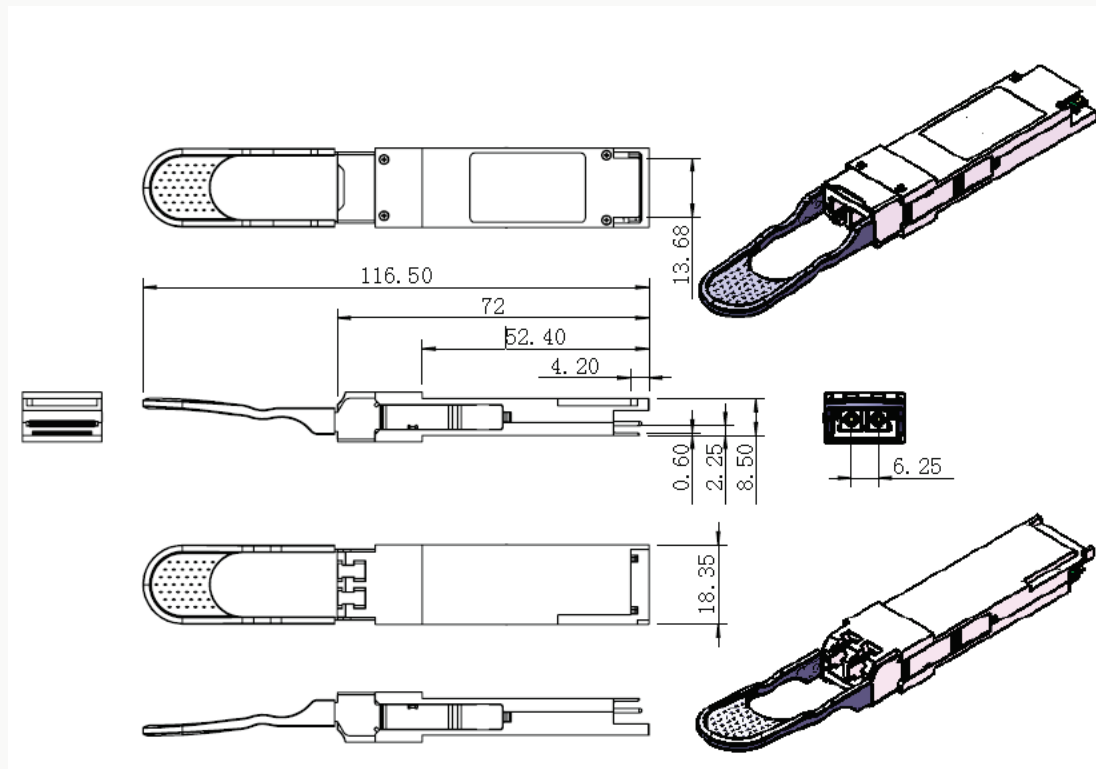
Notes:

1. All Ground (GND) are common within the QSFP+ module and all module voltages are referenced to this potential unless noted otherwise. Connect these directly to the host board signal common ground plane.
2. VccRx, Vcc1 and VccTx are the receiving and transmission power suppliers and shall be applied concurrently. The connector pins are each rated for a maximum current of 500mA.

Subject to change without notice.

For more information, visit [smartoptics.com](http://smartoptics.com).

## MECHANICAL DRAWING



Subject to change without notice.

For more information, visit [smartoptics.com](http://smartoptics.com).

smartoptics