

10 Gb/s XFP 850 nm Transceiver

INTRODUCTION

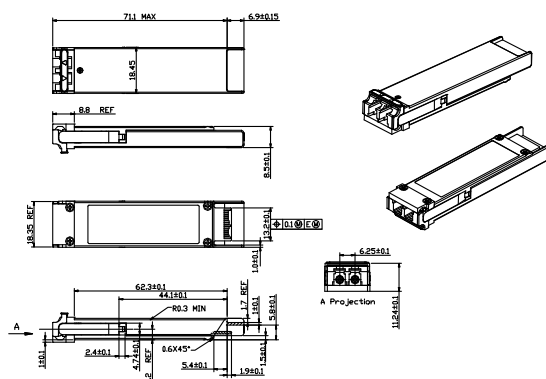
The SO-XFP-SR1 is an optical transceiver module for high-speed, 10Gbit/s data transmission applications. The module is fully compliant to IEEE 802.3ae standard for Ethernet and the 10GFC Rev. 4 Fiber Channel standard, making it ideally suited for 10 GbE datacom and storage area network (SAN / NAS). Designed for short range distances the transceiver module comprises a transmitter with a vertical cavity surface emitting laser (VCSEL), a receiver with a PIN photodiode. The transceiver operates within a wide temperature range of 0°C to +70°C and offers optimum heat dissipation and excellent electromagnetic shielding. The transceiver is fully compliant to the XFP MSA Rev. 4.5.

APPLICATIONS

- IEEE 802.3ae 10GBASE-SR 10.3125 Gb/s
- 10GFC Rev.4.0 1200-Mx-SN-I 10.5128 Gb/s

FEATURES

- Compatible with XFP MSA Rev. 4.5
- Compliant to IEEE 802.3ae 10GBASE-SR at 10.3125 Gbit/s
- Conforms with 10 Gigabit Fibre Channel 1200-M5-SN-I, 1200-M5E-SN-I, 1200-M6-SN-I at 10.51875 Gbit/s
- Up to 82 m transmission on 50/125 µm MMF
- Up to 300 m transmission on special MMF
- Hot pluggable 30 pin connector
- Vertical Cavity Surface Emitting Laser at 850 nm (VCSEL)
- Duplex LC-connector interface
- Compliant with the EU RoHS 6 Environmental Requirements



Specification subject to change without notice.

LASER SAFETY

This optical transceiver is a Class 1M laser product. It complies with IEC-60825 and FDA 21 CFR 1040.10 and 1040.11. The transceiver must be operated within the specified temperature and voltage limits. The optical ports of the module shall be terminated with an optical connector or with a dust plug.

Ordering Information:

Part no:	Description/Application
SO-XFP-SR1	10 GBASE-SR 10.3125 Gb/s transceiver operates at 850 nm for 82 m of 50/125 MMF and 300 m of special MMF
	10GFC Rev.4.0 1200-Mx-SN-I 10.5128 Gb/s transceiver operates at 850 nm for 82 m of 50/125 MMF and 300 m of special MMF

Optical Parameters:

Part no.\Parameter	Wavelength [nm]	Opt. Output Power [dBm]	Opt. Receiver Sensitivity [dBm]	Power Budget [dB]
SO-XFP-SR1	850 nm	-4.3 to -1	-11.1	6.8

Specification subject to change without notice.