

1.25 Gb/s Gigabit Ethernet 1310 nm SM/MM SFP Transceiver

INTRODUCTION

The SO-SFP-1000Base-L40D optical transceiver is fully compliant with the SFP Multi-Source Agreement (MSA). The module is hot pluggable and digital diagnostic functions are available via an I²C serial bus specified in the SFP MSA SFF-8472. It meets the requirements of IEEE 802.3 Gigabit Ethernet standard and ANSI Fibre Channel specifications, and is suitable for interconnections in Gigabit Ethernet and Fibre Channel environments.

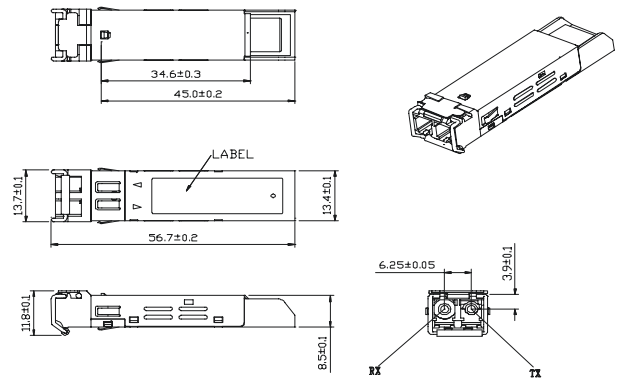
The transceiver is a high performance, cost effective module supporting dual data-rates of 1.25 Gb/s and 1.0625 Gb/s. It operates over 40 km transmission on 9/125µm SM fiber. The transceiver has been tested according to European and American product safety and electro-magnetic compatibility regulations.

APPLICATIONS

- 1000Base-Ethernet
- 1G Fibre Channel

FEATURES

- Compatible with Small-Form Pluggable (SFP) MSA
- SFF-8472 Digital Diagnostic Function
- Compatible with IEEE 802.3z
- Compatible with ANSI specifications for Fibre Channel
- Dual data-rate of 1.25 Gb/s and 1.6025 Gb/s operation
- Operating wavelength at 1310 nm
- 40 km transmission with 9/125 µm SM fiber
- Duplex LC connector type
- Compatible with FCC 47 CFR Part, Class B Electromagnetic Interference (EMI)
- Compatible with IEC 61000-4-2 and GR-1089-CORE Electrostatic Discharge (ESD)
- +3.3V single power supply



Specification subject to change without notice.

LASER SAFETY

This singlemode transceiver is a Class 1 laser product. It complies with IEC-60825 and FDA 21 CFR 1040.10 and 1040.11. The transceiver must be operated within the specified temperature and voltage limits. The optical ports of the module need to be terminated with an optical connector or with a dust plug.

Optical Parameters:

Part no. \ Parameter	Wavelength [nm]	Opt. Output Power [dBm]	Opt. Receiver Sensitivity [dBm]	Power Budget [dB]
SO-SFP-1000Base-L40D	1310 nm	-2 to +3	-22 to -3	24

Vendor specific modules have identical optical parameters as the SO-SFP-1000Base-L40D.

Ordering Information:

Part no:	Description
SO-SFP-1000Base-L40D	Generic SFP 1000Base-L40D 1310nm SM/40 km 24dB

Specification subject to change without notice.