

1.25 Gb/s Gigabit Ethernet 850 nm MM SFP Transceiver

INTRODUCTION

The SO-SFP-1000Base-SX optical transceiver is fully compliant with the SFP Multi-Source Agreement (MSA). It meets the requirements of IEEE 802.3 Gigabit Ethernet standard and ANSI Fibre Channel specifications, and is suitable for interconnections in Gigabit Ethernet and Fibre Channel environments.

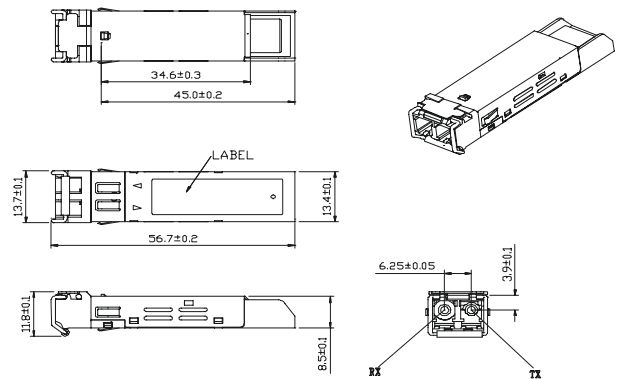
The transceiver is a high performance, cost effective module supporting dual data-rates of 1.25 Gb/s and 1.0625 Gb/s over 550 m transmission on 50/125 µm MM fiber or 270 m transmission on 62.5/125 µm MM fiber. The transceiver has been tested according to European and American product safety and electromagnetic compatibility regulations.

APPLICATIONS

- 1000Base-SX
- 1G Fibre Channel

FEATURES

- Compatible with Small-Form Pluggable (SFP) MSA
- Compatible with IEEE 802.3z
- Compatible with ANSI specifications for Fibre Channel
- Dual data-rate of 1.25 Gb/s and 1.0625 Gb/s operation
- Operating wavelength at 850 nm
- Duplex LC connector type
- 550 m transmission with 50/125 µm MM fiber
- 270 m transmission with 62.5/125 µm MM fiber
- Compatible with FCC 47 CFR Part, Class B Electromagnetic Interference (EMI)
- Compatible with IEC 61000-4-2 and GR-1089-CORE Electrostatic Discharge (ESD)
- +3.3V single power supply



Specification subject to change without notice.

LASER SAFETY

This singlemode transceiver is a Class 1 laser product. It complies with IEC-60825 and FDA 21 CFR 1040.10 and 1040.11. The transceiver must be operated within the specified temperature and voltage limits. The optical ports of the module need to be terminated with an optical connector or with a dust plug.

Optical Parameters:

Part no. \ Parameter	Wavelength [nm]	Opt. Output Power [dBm]	Opt. Receiver Sensitivity [dBm]	Power Budget [dB]
SO-SFP-1000Base-SX	850 nm	-9 to -4	-17	8

Vendor specific modules have identical optical parameters as the SO-SFP-1000Base-SX.

Ordering Information:

Part no:	Description
SO-SFP-1000Base-SX	Generic SFP 1000Base-SX 850nm MM 7dB 550m

Specification subject to change without notice.