

Introduction

The SO-GBIC-LX is fully compliant with Gigabit Interface Converter (GBIC) specification SFF-8053, Rev 5.5. It meets the requirements of IEEE 802.3 Gigabit Ethernet standard and ANSI Fibre Channel specifications, and is very suitable for interconnections in Gigabit Ethernet and Fibre Channel environments.

This module is designed for use with multimode and singlemode fiber and operates at a wavelength of 1310 nm.

APPLICATIONS

- 1.25 Gb/s 1000Base Ethernet
- 1.0625 Gb/s Fibre Channel

FEATURES

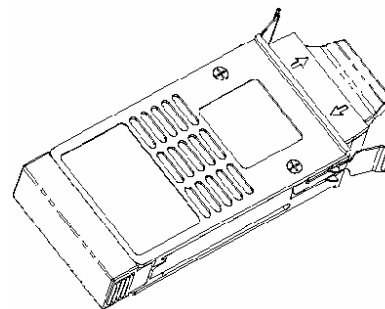
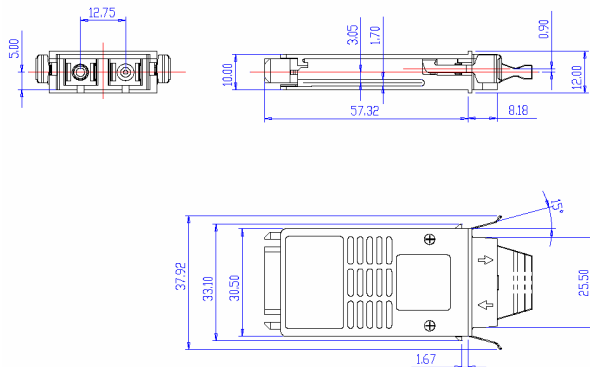
- 1310 nm FP transmitter
- Up to 20 km transmission on singlemode fiber
- Up to 550 m transmission on multimode fiber
- Class 1 laser product
- Low EMI and excellent ESD protection
- Standard GBIC footprint, SFF-8053 compatible
- Extended power supply +3.3V/+5.0V compatible

LASER SAFETY

This singlemode transceiver is a Class 1 laser product. It complies with IEC-60825 and FDA 21 CFR 1040.10 and 1040.11. The transceiver must be operated within the specified temperature and voltage limits. The optical ports of the module needs to be terminated with an optical connector or a dust plug.

REGULATORY COMPLIANCE

- GBIC specification SFF-8053, Rev 5.5
- ANSI specification for Fibre Channel
- IEEE 802.3z
- FCC 47 CFR Part 15, Class B
- FDA 21 CFR 1040.10 and 1040.11, Class 1

**Optical Parameters**

Parameter	Symbol	Min	Typ	Max	Units
Optical Output Power	P _{out}	-9.5	-6	-3	dBm
Optical Receiver Sensitivity	P _{sens}	-20	-23	-3	dBm
Data Rate		1.0625		1.25	Gb/s

Ordering Information:

Part no:	Description/Application
SO-GBIC-LX	SmartOptics Universal GBIC for 1000BaseSX, 1310 nm, 20 km

Subject to change without notice!