

1000Base-T GBIC transceiver for Ethernet switches

INTRODUCTION

The SO-GBIC-1000Base-T electrical GBIC transceiver is fully compliant with Gigabit Interface Converter (GBIC) specification SFF-8053, Rev 5.5. The module is hot pluggable and it meets the requirements of IEEE for 1000Base-T data-links. The transceiver has been tested according to European and American product safety and electromagnetic compatibility regulations.

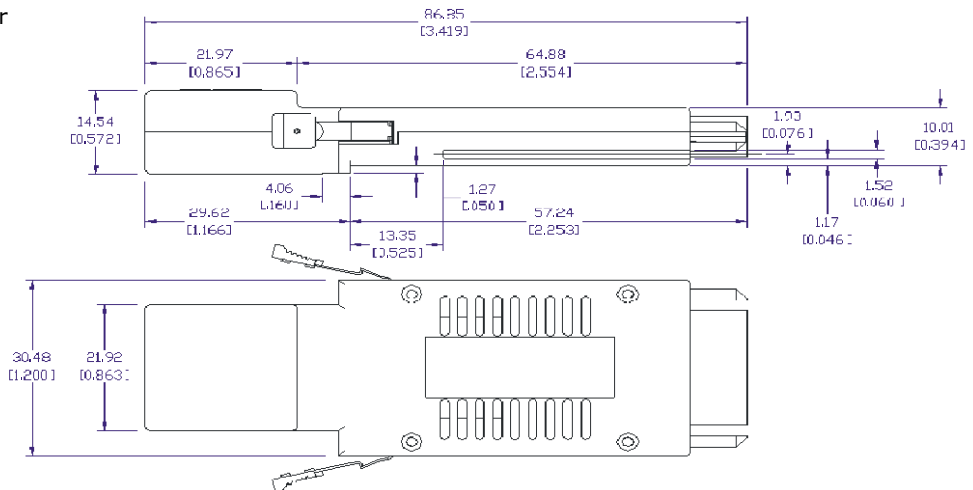
The 1000Base-T Gigabit Interface Converter (GBIC) is an ideal solution for Gigabit Ethernet switches with GBIC interfaces to provide 1000Base-T full-duplex interconnections over existing UTP-5 copper infrastructures.

APPLICATIONS

- 1000Base-T Ethernet

FEATURES

- Compliant with Gigabit Interface Converter Specification 5.5
- Compliant with IEEE Std
- Auto-sense MDI-X
- SCA-2 Host connector
- Standard RJ-45 connector
- Dual power supply 3.3V/5V
- TTL signal detect indicator
- Hot Pluggable



Specification subject to change without notice.

Ordering Information:

Part no:	Description
SO-GBIC-1000Base-T	Generic GBIC 1000Base-T, 100m CAT-5 UTP

Specification subject to change without notice.