

## 100 Mb/s Fast Ethernet SFP transceiver family

### INTRODUCTION

The SO-SFP-100Base are fully compliant with the latest industrial SFP Multi-Source Agreement (MSA). They support data rates in a wide range of 100~155.520 Mbps and can be used in datacom or FTTx applications. The modules are hot pluggable and can transmit over 2 km of MM fiber and 10 km of SM fiber.

### APPLICATIONS

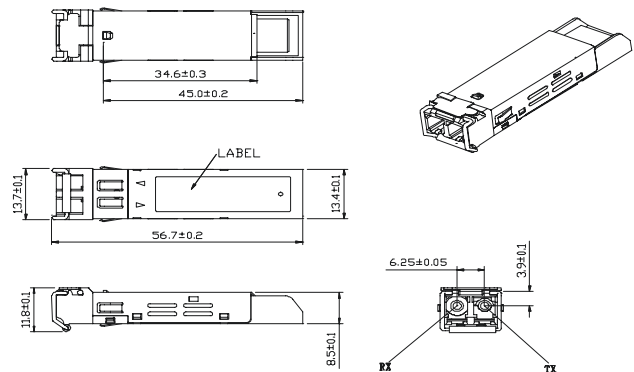
- 100Base Ethernet
- FTTx

### FEATURES

- Up to 2 km transmission on MM fiber
- Up to 10 km transmission on SM fiber
- Hot-Pluggable SFP footprint
- Optical LC interface for fiber pair operation
- Optical SC interface for bi-directional operation
- Industrial operating temperature -40 °C to 85 °C

### LASER SAFETY

This singlemode transceiver is a Class 1 laser product. It complies with IEC-60825 and FDA 21 CFR 1040.10 and 1040.11. The transceiver must be operated within the specified temperature and voltage limits. The optical ports of the module shall be terminated with an optical connector or with a dust plug.



Specification subject to change without notice.

### Optical Parameters:

Part no. \ Parameter	Wavelength [nm]	Opt. Output Power [dBm]	Opt. Receiver Sensitivity [dBm]	Power Budget [dB]
SO-SFP-100Base-FX	1310	-20 to -14	-31 to -10	11
SO-SFP-100Base-LX	1310	-15 to -8	-28 to -10	13

### Ordering Information:

Part no:	Description/Application
SO-SFP-100Base-FX	operates on ordinary MM fiber spans up to 2 km
SO-SFP-100Base-LX	operates on ordinary MM fiber spans up to 2 km and SM fiber spans up to 10 km

Specification subject to change without notice.